



ZEBRA GT800™



User Guide

Thermal Transfer Printer

©2014 ZIH Corp. The copyrights in this manual and the software and/or firmware in the label printer and accessories described therein are owned by ZIH Corp. Unauthorized reproduction of this manual or the software and/or firmware in the label printer may result in imprisonment of up to one year and fines of up to \$10,000 (17 U.S.C.506). Copyright violators may be subject to civil liability.

This product may contain ZPL[®], ZPL II[®], EPL and ZebraLink[™] programs; Element Energy Equalizer[®] Circuit; E³[®]; and Monotype Imaging fonts. Software © ZIH Corp. All rights reserved worldwide.

GT-Series, GT800, EPL, ZBI, ZBI 2.0, ZBI-Developer, and all product names and numbers are trademarks, and Zebra, the Zebra logo, ZPL, ZPL II, Element Energy Equalizer Circuit, and E³ Circuit are registered trademarks of ZIH Corp. All rights reserved worldwide.

All other brand names, product names, or trademarks belong to their respective holders.

For additional copyright and trademark information, please see “Copyright” on the Zebra website.

www.zebra.com/copyright

Proprietary Statement This manual contains proprietary information of Zebra Technologies Corporation and its subsidiaries (“Zebra Technologies”). It is intended solely for the information and use of parties operating and maintaining the equipment described herein. Such proprietary information may not be used, reproduced, or disclosed to any other parties for any other purpose without the express, written permission of Zebra Technologies.

Product Improvements Continuous improvement of products is a policy of Zebra Technologies. All specifications and designs are subject to change without notice.

Liability Disclaimer Zebra Technologies takes steps to ensure that its published Engineering specifications and manuals are correct; however, errors do occur. Zebra Technologies reserves the right to correct any such errors and disclaims liability resulting therefrom.

Limitation of Liability In no event shall Zebra Technologies or anyone else involved in the creation, production, or delivery of the accompanying product (including hardware and software) be liable for any damages whatsoever (including, without limitation, consequential damages including loss of business profits, business interruption, or loss of business information) arising out of the use of, the results of use of, or inability to use such product, even if Zebra Technologies has been advised of the possibility of such damages. Some jurisdictions do not allow the exclusion or limitation of incidental or consequential damages, so the above limitation or exclusion may not apply to you.

Contacting Zebra Technologies Incorporated The latest product information, resources and contacts are found on the Zebra Web site at:

General Information: www.zebra.com **Contacts:** www.zebra.com/contact/

Zebra Technologies Corporation
Corporate & International Headquarters
475 Half Day Road, Suite 500
Lincolnshire, Illinois 60069 USA
Phone: +1 847 634 6700 Toll-free: +1 866 230 9494 Fax: +1 847 913 8766

Canadian DOC Compliance Statement

This Class B digital apparatus complies with Canadian ICES-003.
Cet appareil numérique de la classe B est conforme à la norme NMB-003 du Canada.

FCC Compliance Statement

This device complies with Part 15 rules. Operation is subject to the following two conditions:

1. This device may not cause harmful interference, and
2. This device must accept any interference received, including interference that may cause undesired operation.

This equipment has been tested and found to comply with the limits for Class B Digital Devices, pursuant to Part 15 of the FCC Rules. These limits are designed to provide reasonable protection against harmful interference when the equipment is operated in a residential environment. This equipment generates, uses, and can radiate radio frequency energy and, if not installed and used in accordance with the product manuals, may cause harmful interference to radio communications. However, there is no guarantee that interference will not occur in a particular installation. If this equipment does cause harmful interference to radio or television reception, the user is encouraged to do one or more of the following measures:

- Reorient or relocate the receiving antenna.
- Increase the separation between the equipment and receiver.
- Connect the equipment into an outlet on a circuit different from that to which the receiver is connected.
- Consult the dealer or an experienced RF service technician for help.

The user is cautioned that any changes or modifications not expressly approved by Zebra Technologies could void the user's authority to operate the equipment. To ensure compliance, this printer must be used with fully shielded communication cables.



B급 기기

이 기기는 가정용(B급) 전자파적합기기로서 주로 가정에서 사용하는 것을 목적으로 하며, 모든 지역에서 사용할 수 있습니다.

Environmental Management



Do not dispose of this product in unsorted municipal waste. This product is recyclable, and should be recycled according to your local standards.

For more information, please see our website at:

Web address: www.zebra.com/environment

About This Document



This section provides you with contact information, document structure and organization, and additional reference documents.

Contents

Who Should Use This Document	vi
How This Document Is Organized	vi
Document Conventions	vii

Who Should Use This Document

This User Guide is intended for use by any person who needs to operate or to troubleshoot problems with the printer.

How This Document Is Organized

The User Guide is set up as follows:

Section	Description
<i>Introduction on page 1</i>	This section describes what you get in your shipping box and provides an overview of printer features. Additionally, this section contains procedures that describe how to open and close the printer and report any problems.
<i>Getting Started on page 9</i>	This section describes how to set up your printer for the first time, and how to use the most common operating procedures for loading media.
<i>Print Operations on page 37</i>	This section provides media and print handling, font and language support, and the set up of less common printer configurations.
<i>Printer Options on page 57</i>	This section covers the common printer options and accessories with brief descriptions and how to get you started using or configuring your printer option or accessory.
<i>Maintenance on page 67</i>	This section provides routine cleaning and maintenance procedures.
<i>Troubleshooting on page 81</i>	This section provides information about printer error reporting that may be needed for printer troubleshooting, as well as assorted diagnostic tests.
<i>Appendix: Interface Wiring on page 95</i>	This section provides additional interface information and wiring diagrams to assist with printer to host system integration (typically a PC).
<i>Appendix: Dimensions on page 101</i>	This section provides external printer dimensions for the standard printer and printer with options.
<i>Appendix: ZPL Configuration on page 103</i>	This section briefly covers printer configuration and includes a cross-reference to ZPL printer configuration commands.

Document Conventions

Table 1 • Document Conventions

Alternate Color

If you are viewing this guide on-line, you can click the [blue text](#) used for cross-references or hyper-links to jump directly to other sections in the guide or to web sites on the Internet.

Command Line Examples, File Names, and Directories

Command line examples, file names, and directories appear in a `Typewriter style (Courier) mono-spaced font`. For example:

Type `ZTools` to get to the Post-Install scripts in the `/bin` directory.

Open the `Zebra<version number>.tar` file in the `/root` directory.

Icons and Advisory Words

The following icons and advisory words are used to draw your attention to certain areas of text.



Caution • Warns you of the potential for electrostatic discharge.



Caution • Warns you of a potential electric shock situation.



Caution • Warns you of a situation where excessive heat could cause a burn.



Caution • Advises you that failure to take or avoid a specific action could result in physical harm to **you**.

(No icon)

Caution • Advises you that failure to take or avoid a specific action could result in physical harm to the **hardware**.



Important • Advises you of information that is essential to complete a task.



Note • Indicates neutral or positive information that emphasizes or supplements important points of the main text.



Tools • Tells you what tools you need to complete a given task.



Notes • _____

Contents

About This Document	v
Who Should Use This Document	vi
How This Document Is Organized	vi
Document Conventions	vii
Contents	ix
1 • Introduction	1
GT-Series™ Thermal Printers	2
What's in the Box?	3
Unpack and Inspect the Printer	3
Your Printer	4
Printer Features	5
Operator Controls	7
Closing the printer	8
2 • Getting Started	9
Basic Printer Setup (Overview)	10
Attaching Power	11
Loading Roll Media	12
Media Handling	12
Open the Printer	12
Preparing for Label Media	13
Placing the Roll in the Media Compartment	14
Loading Transfer Ribbon	16
Test Printing (Configuration Report)	26
Pre-install Windows® Printer Drivers	27
Connecting your Printer to a Computer	29
Interface Cable Requirements	29

After Your Printer is Connected	35
Printing with Your Printer	36
3 • Print Operations	37
Determining Printer Configuration	38
Modes of Printing	38
Print Media Types	39
Thermal Printing - Handling Cautions	39
Long Term Printer In-activity or Storage	39
Determining Thermal Media Types	41
Replacing Supplies	41
Adding a New Transfer Ribbon	41
Replacing a Partially Used Transfer Ribbon	42
Adjusting the Print Width	42
Adjusting the Print Quality	42
Media Sensing	43
Using the Movable Black Mark Sensor	44
Adjusting the Movable Sensor for Black Marks or Notches	45
Adjusting the Movable Sensor for Web (Gap) Sensing	47
Ribbon Overview	48
When to Use Ribbon	48
Coated Side of Ribbon	48
Printing on Fan-Fold Media	50
Printing with Externally Mounted Roll Media	52
Fonts and Your Printer	53
Localizing the Printer with Code Pages	53
Identifying Fonts in Your Printer	54
Stand Alone Printing	55
Sending Files to the Printer	56
Print Meter	56
4 • Printer Options	57
Label Dispenser Option	58
Cutter Option	61
Loading Media with the Cutter Option	62
ZebraNet® 10/100 Internal (Wired) Print Server Option	64
Printer Network Configuration Status Label	65
Zebra® ZKDU — Printer Accessory	66
ZBI 2.0™ — Zebra Basic Interpreter	66

5 • Maintenance	67
Cleaning	68
Cleaning the Printhead	69
Media Path Considerations	70
Platen Cleaning and Replacement	72
Other Printer Maintenance	74
Replacing the Printhead	75
6 • Troubleshooting	81
Status Light Descriptions	82
Status Light Error Resolutions	82
Print Quality Problems	85
Manual Calibration	88
Troubleshooting Tests	89
Printing a Configuration Label	89
Recalibration	89
Resetting the Factory Default Values	90
Communications Diagnostics	90
Feed Button Modes	92
A • Appendix: Interface Wiring	95
Universal Serial Bus (USB) Interface	96
Parallel Interface	97
Ethernet Interface	98
Serial Port Interface	99
B • Appendix: Dimensions	101
External GT-Series™ Printer Dimensions	102
C • Appendix: ZPL Configuration	103
Managing the ZPL Printer Configuration	104
ZPL Configuration Status to Command Cross-reference	105
Printer Memory Management and Related Status Reports	108
ZPL Programming for Memory Management	108



Notes • _____

Introduction

This section describes what is included with the printer, and provides an overview of common printer features, including opening and closing the printer and reporting any problems.

Contents

GT-Series™ Thermal Printers	2
What's in the Box?	3
Unpack and Inspect the Printer	3
Your Printer	4
Printer Features	5
Operator Controls	7

GT-Series™ Thermal Printers

The Zebra® GT-Series™ printer models are the best value in a desktop thermal printer. The GT-Series™ printer provides thermal transfer and direct thermal printing at speeds up to 5 ips (inches per second) at a 203 dpi (dots per inch) print density or 4 ips at a 300 dpi print density. They support both ZPL™ and EPL™ Zebra programming languages and a wide variety of interface and feature options.

GT-Series™ printers feature:

- Automatic printer language detection and switching between ZPL and EPL programming and label formats.
- The industry's easiest ribbon loading design able to use 300m and 74m transfer ribbons in a single printer without special adapters.
- Color-coded operator controls and media guides.
- Movable Blackline Sensor: A full width movable black mark sensor and multi position transmissive (label gap) sensor.
- Zebra™ Global Printing Solution – supports Microsoft Windows keyboard encoding (and ANSI), Unicode UTF-8 and UTF 16 (Unicode Transformation Formats), XML, ASCII (7 and 8 bit used by legacy programs and systems), basic single and double byte font encoding, Hexadecimal encoding, and custom character maps (DAT table creation, font linking, and character remapping).
- Improved printer performance: faster print speeds and a 32-bit processor.
- Free software and drivers to configure printer settings, design and print get printer status, import graphics and fonts, send programming commands, update firmware, and download files. Clone printer settings, files and update firmware with one or more Zebra® Ethernet and locally connected printers with ZebraNet™ Bridge.
- Maintenance reporting enabled and customizable by the user.

The GT-Series™ printers offer these basic printer options:

- The printer has Simplified and Traditional Chinese fonts set available for EPL (888 legacy fonts - GB-2312 and Big 5) and ZPL (GB18030-2000 and Big 5) programming.
- Label Dispense (Peel-Off).
- General purpose media cutter.
- Internal 10/100 Print Server and Ethernet Interface.
- Zebra® ZBI 2.0™ (Zebra BASIC Interpreter) programming language. ZBI™ allows you to create custom printer operations that can automate processes, use peripherals (i.e. scanners, scales, keyboards, Zebra® ZKDU, etc.) all without being attached to a PC or network.

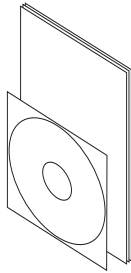
This guide provides information you need to operate your printer. The printer functions as a complete system for printing when connected to a host computer. To create label formats, refer to the programming guides or label design applications such as ZebraDesigner™.



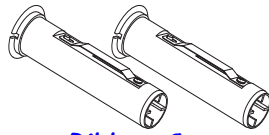
Note • Many printer settings may also be controlled by your printer's driver or label design software. Refer to the driver or software documentation for more information.

What's in the Box?

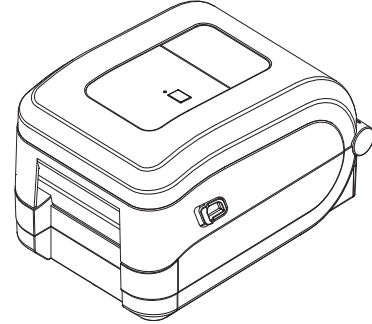
Save the carton and all packing materials in case you need to ship or store the printer later. After unpacking, make sure you have all parts. Follow the procedures for inspecting the printer to familiarize yourself with printer parts so you can follow the instructions in this book.



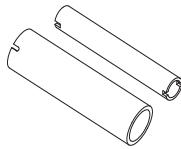
**Documentation
and Software**



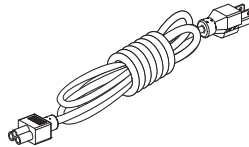
**Ribbon Core
Adapters**
(for use with Non-Zebra
transfer ribbon)



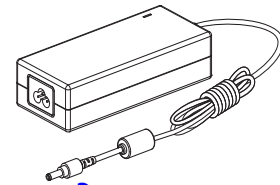
Printer



**Empty Ribbon
Cores**
(74m and 300m)



Power Cord
varies by locale or region



**Power
Supply**

Unpack and Inspect the Printer

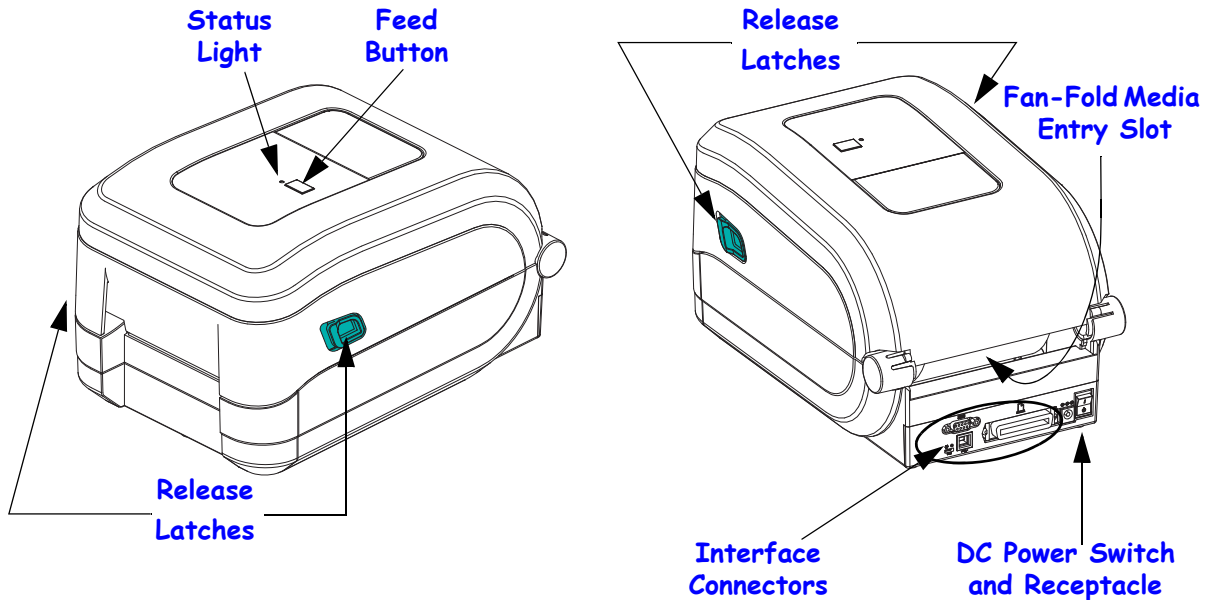
When you receive the printer, immediately unpack it and inspect for shipping damage.

- Save all packing materials.
- Check all exterior surfaces for damage.
- Open the printer and inspect the media compartment for damage to components.

If you discover shipping damage upon inspection:

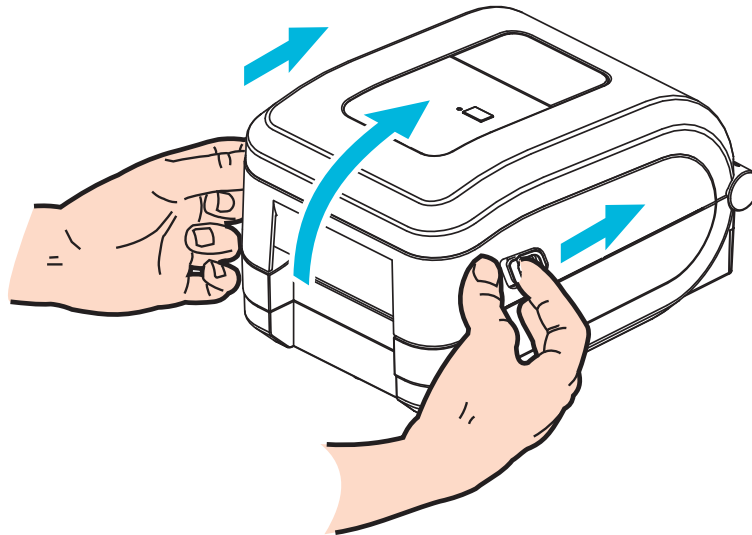
- Immediately notify the shipping company and file a damage report. Zebra Technologies Corporation is not responsible for any damage to the printer incurred during shipment, and will not cover the repair of this damage under its warranty policy.
- Keep all packaging material for shipping company inspection.
- Notify your authorized Zebra[®] reseller.

Your Printer



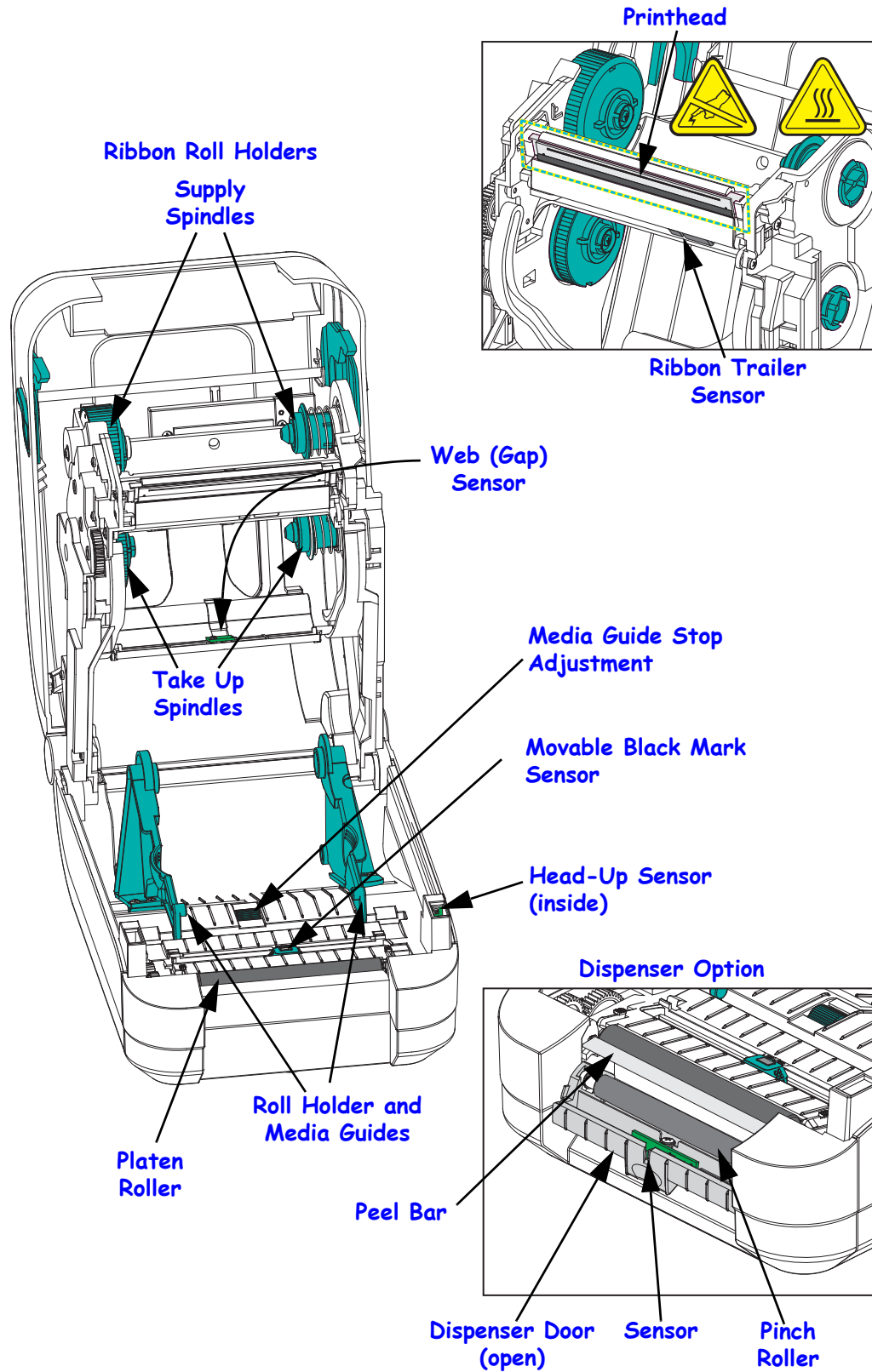
Opening the printer

To access the media compartment, you must open the printer. Pull the release latches towards you and lift the cover. Check the media compartment for loose or damaged components.

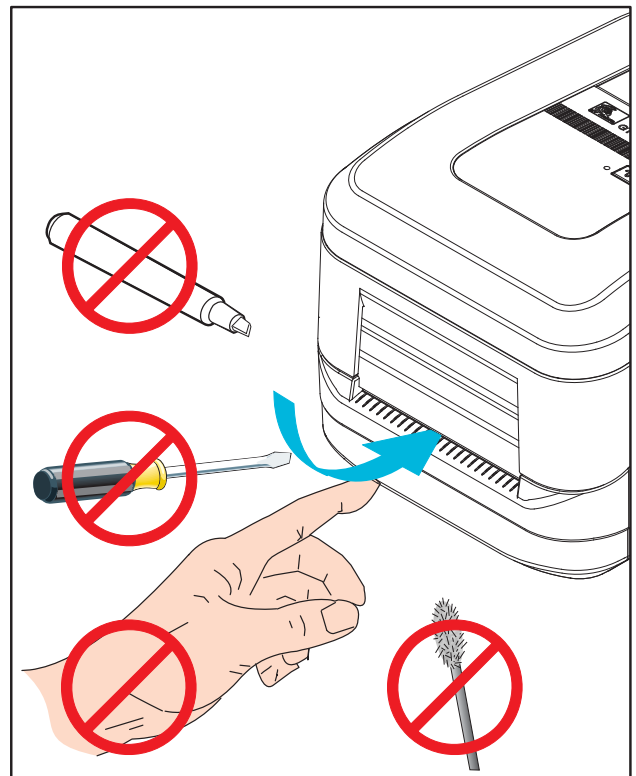


Caution • The discharge of electrostatic energy that accumulates on the surface of the human body or other surfaces can damage or destroy the printhead or electronic components used in this device. You must observe static-safe procedures when working with the printhead or the electronic components under the top cover.

Printer Features



Cutter Option



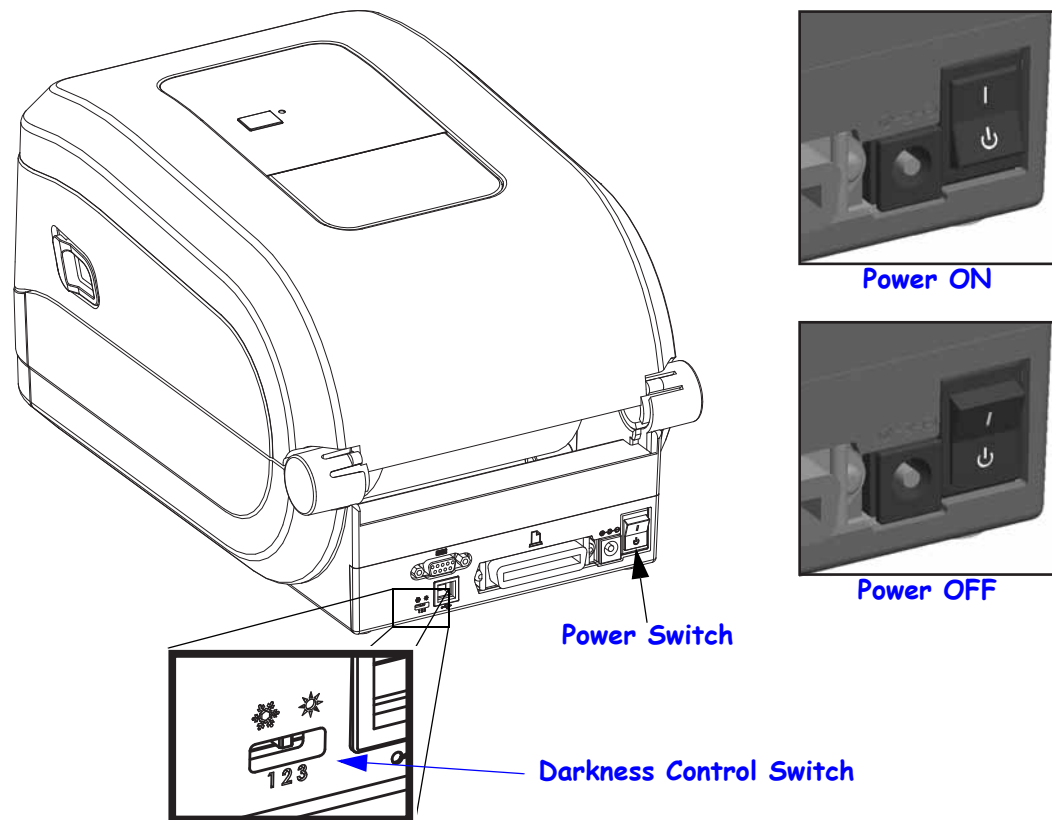
Operator Controls

Power Switch

Press *up* to turn **ON** or *down* to turn **OFF** the printer.



Caution • The printer power should be turned off before connecting or disconnecting the communications and power cables.



Operator Darkness Control

The Operator Darkness Control switch allows the operator to modify the darkness setting without modifying the program or driver setting sent to the printer. This allows the user to adjust setting for minor variations in media and printers.

The control switch has three (3) settings: Low (1), Medium (2) and High (3). The Low (1) setting makes no change to the actual Darkness setting as set by programming or driver setting. The Medium (2) setting increases the Darkness level by 3, i.e. if the printer is set to the default darkness level of 20, then the actual darkness applied while printing will be 23. The High (3) setting will add six (6) darkness levels to the set darkness level.



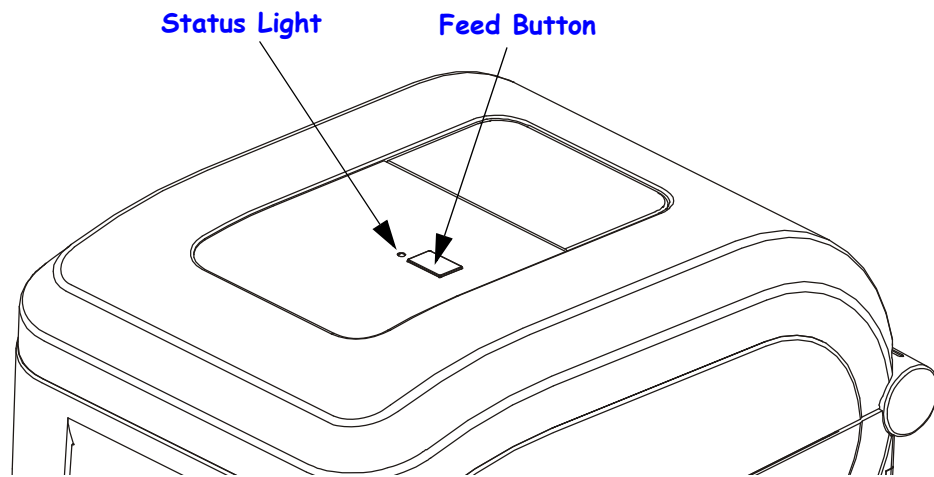
Important • Setting the Darkness to high or low may reduce bar code readability.

Feed Button

- Tap the Feed button once to force the printer to feed one blank label.
- Press the Feed button to take the printer out of a “pause” condition. The printer is put into “pause” by either a programming command or an error condition. See [What the Status Light is Telling You on page 82](#) in the Troubleshooting chapter.
- Use the Feed button for printer setup and status (see [Feed Button Modes on page 92](#) in the Troubleshooting chapter).

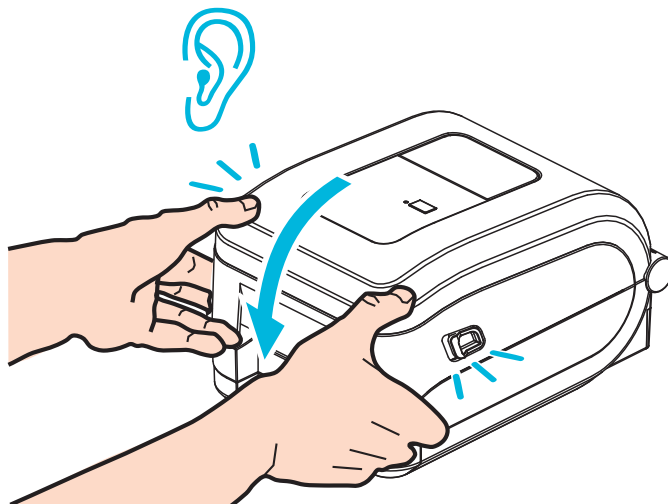
Status Light

Located on the top case next to the feed button, the status light functions as a printer operational indicator (see [Status Light Descriptions on page 82](#)).



Closing the printer

1. Lower the top cover.
2. Press down until the cover snaps closed.



Getting Started

This section describes how to set up your printer for the first time, and use the most common operating procedures for loading media.

Contents

Basic Printer Setup (Overview)	10
Attaching Power	11
Loading Roll Media	12
Media Handling	12
Preparing for Label Media	13
Loading Transfer Ribbon	16
Loading Zebra Transfer Ribbon	17
Loading Non-Zebra Transfer Ribbon	20
Test Printing (Configuration Report)	26
Pre-install Windows® Printer Drivers	27
Plug'N'Play (PnP) Printer Detection and Windows® operating systems	27
Connecting your Printer to a Computer	29
Interface Cable Requirements	29
USB Interface	30
Serial Port Interface	31
Parallel Port Interface	33
Ethernet Interface	34
After Your Printer is Connected	35
Printing with Your Printer	36

Basic Printer Setup (Overview)

The setup process can be broken down to two (2) phases: hardware setup and host system (software/driver) setup.

- Place the printer in a safe location with access to power and where the network or host system cabling can access your printer.
- Attach the printer to a grounded AC power source.
- **Turn the printer OFF.**
- Select and prepare media for your printer.
- Load the media.
- Load the transfer ribbon if you are using thermal transfer media.
- **Turn the printer ON.** Print a 'Configuration Report' to verify basic printer operation.
- **Turn the printer OFF.**
- Choose method to communicate to your printer - Local connection via USB, Serial, or Parallel ports or Local network via Ethernet (LAN).
- Attach the printer to the network or host system, and configure the printer as required for communicating to the print system host/network.

For supported Windows Operating systems (most common) with a Local (cabled) connection:

- 'Run' the Zebra Setup Utilities for systems from the User's CD.
- Click on 'Install New Printer' and run the install wizard. Select 'Install Printer' and select the GT800 from the list of ZDesigner printers.
- Select the port (USB, Serial or Parallel) that you connected to the PC.
- **Turn the printer ON** and configure printer communications for your interface type.
- Print a Windows driver 'Test Print' to verify operation with Windows.

Attaching Power

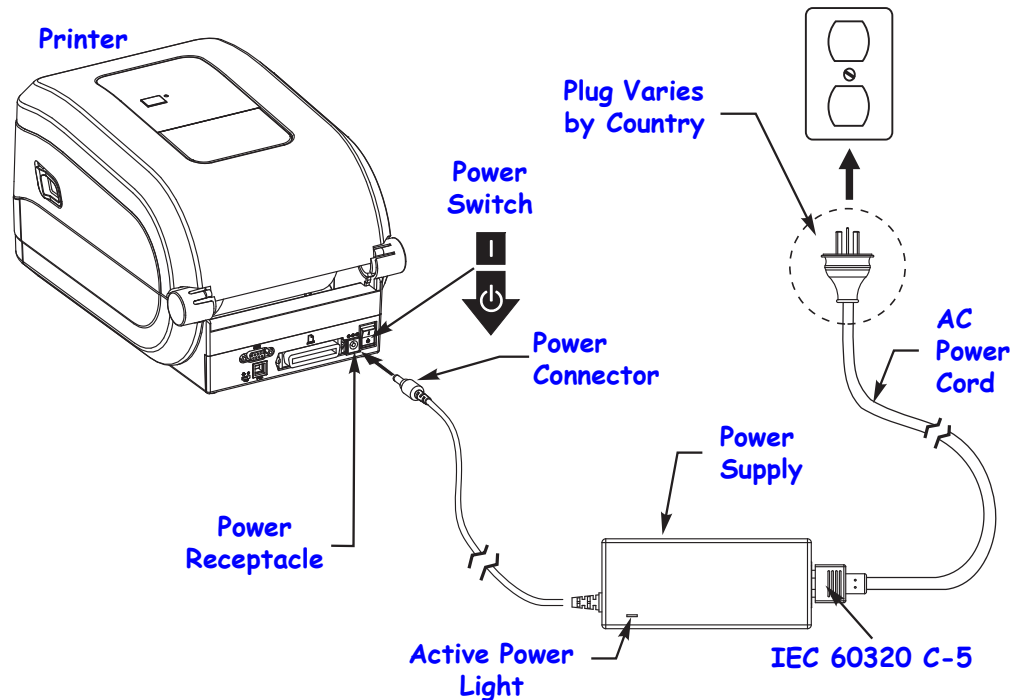


Important • Set up your printer so that you can handle the power cord easily if needed. To make certain the printer cannot carry electrical current, you must separate the power cord from the power supply receptacle or AC electrical outlet.



Caution • Never operate the printer and power supply in an area where they can get wet. Serious personal injury could result!

1. Make sure the printer's power switch is in the off position (down).
2. Insert the AC power cord into the power supply.
3. Plug the other end of the cord into an appropriate AC electrical outlet. Note: The active power light will go on if power is on at the AC outlet.
4. Insert the power supply's power connector into the printer's power receptacle.



Note • Ensure the appropriate power cord with a three (3) prong plug and an IEC 60320-C5 connector are used at all times. These power cords must bear the relevant certification mark of the country in which the product is being used.

Loading Roll Media

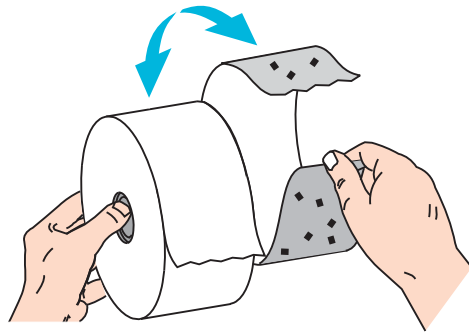
You must use the correct media for the type of printing you require. See [Print Operations](#) on page 37 for more information on identifying different basic media types.

Media Handling

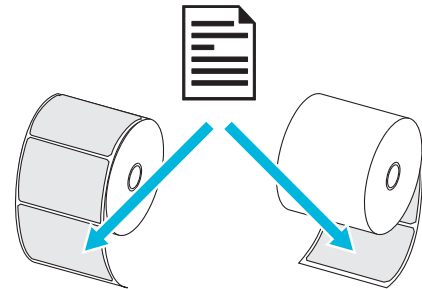
During shipment, handling, or storage, the roll may become dirty or dusty. Whether your roll media is inside or outside wound, you load it into the printer the same way.

- Remove the outside length of media. Removing the outside length of media avoids dragging adhesive or dirty media between the printhead and platen.
- Whether your roll media is inside or outside wound, you load it into the printer the same way - the print surface faces up.

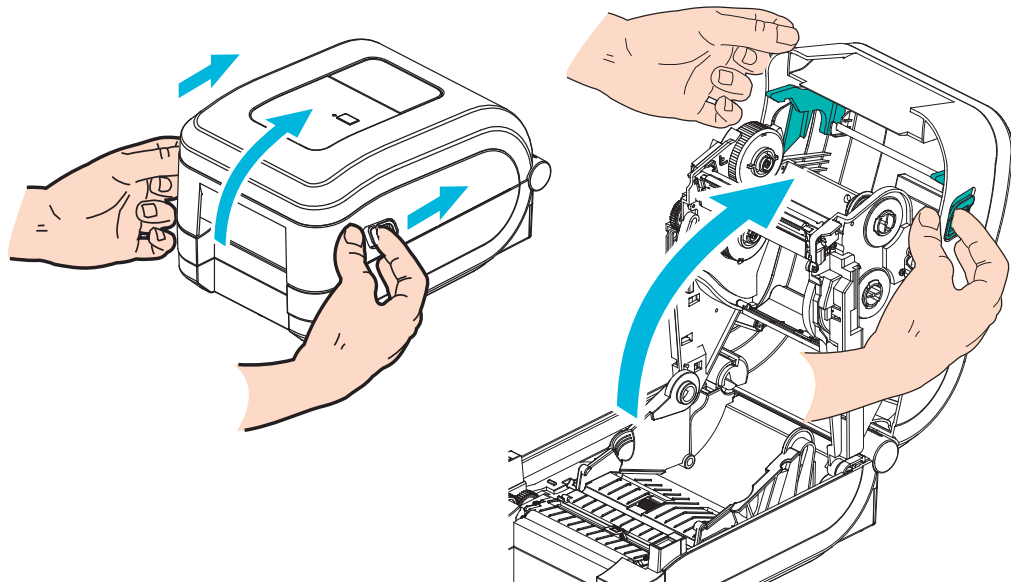
Remove Outside Layer



Print Side Up

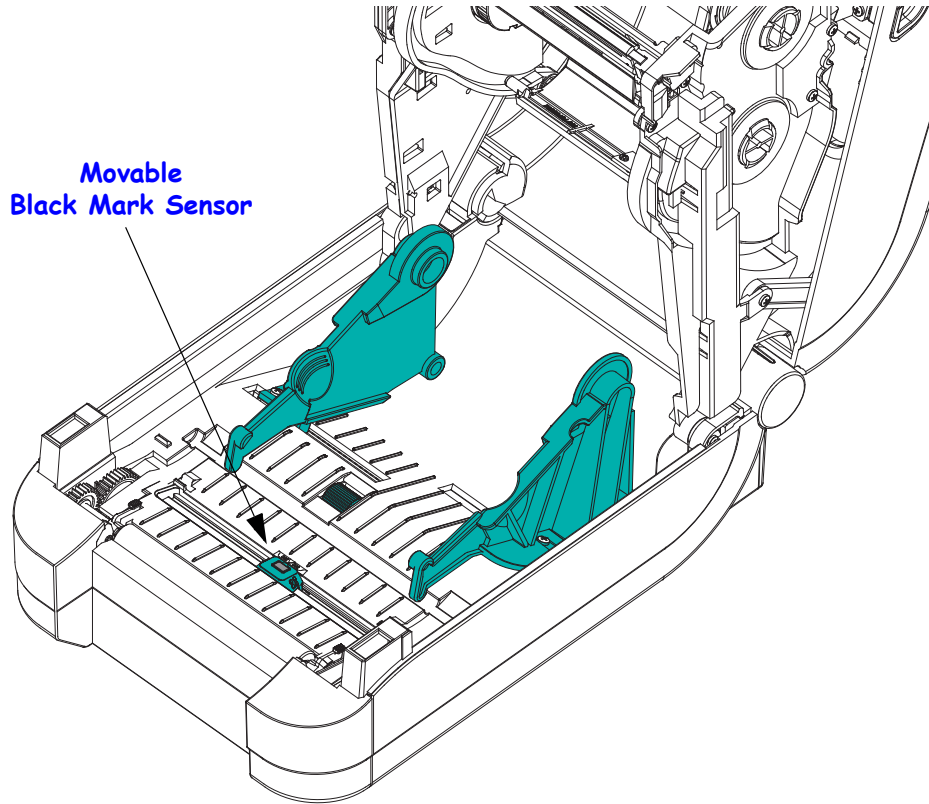


Open the Printer

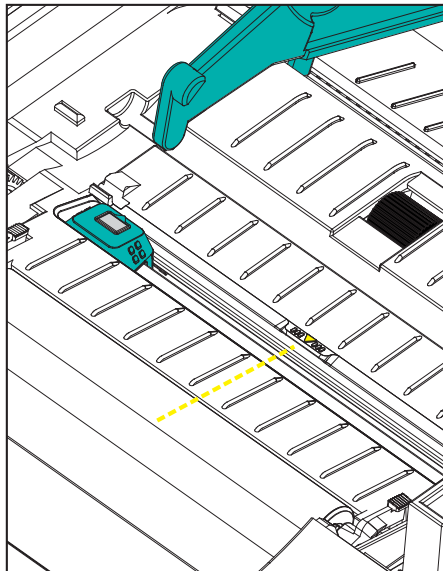


Preparing for Label Media

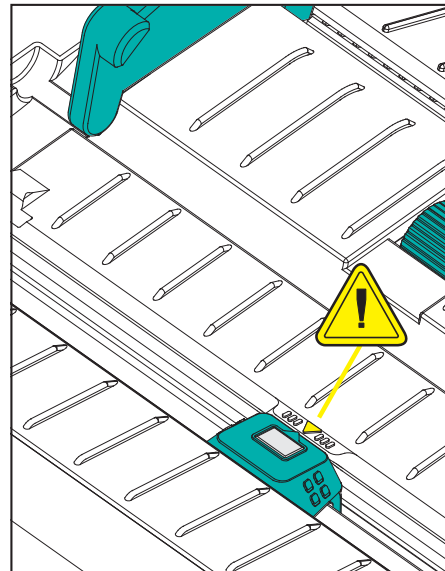
Verify that the movable black mark sensor is aligned in the center default position. This is the standard operating position for media sensing. When the sensor is moved away from the default label web (gap) sensing area, the printer will only detect black mark and die-cut notched media when aligned properly. See [Using the Movable Black Mark Sensor on page 44](#) for using black mark or non-typical media.



An Off Center Alignment
Black Mark Sensing Only

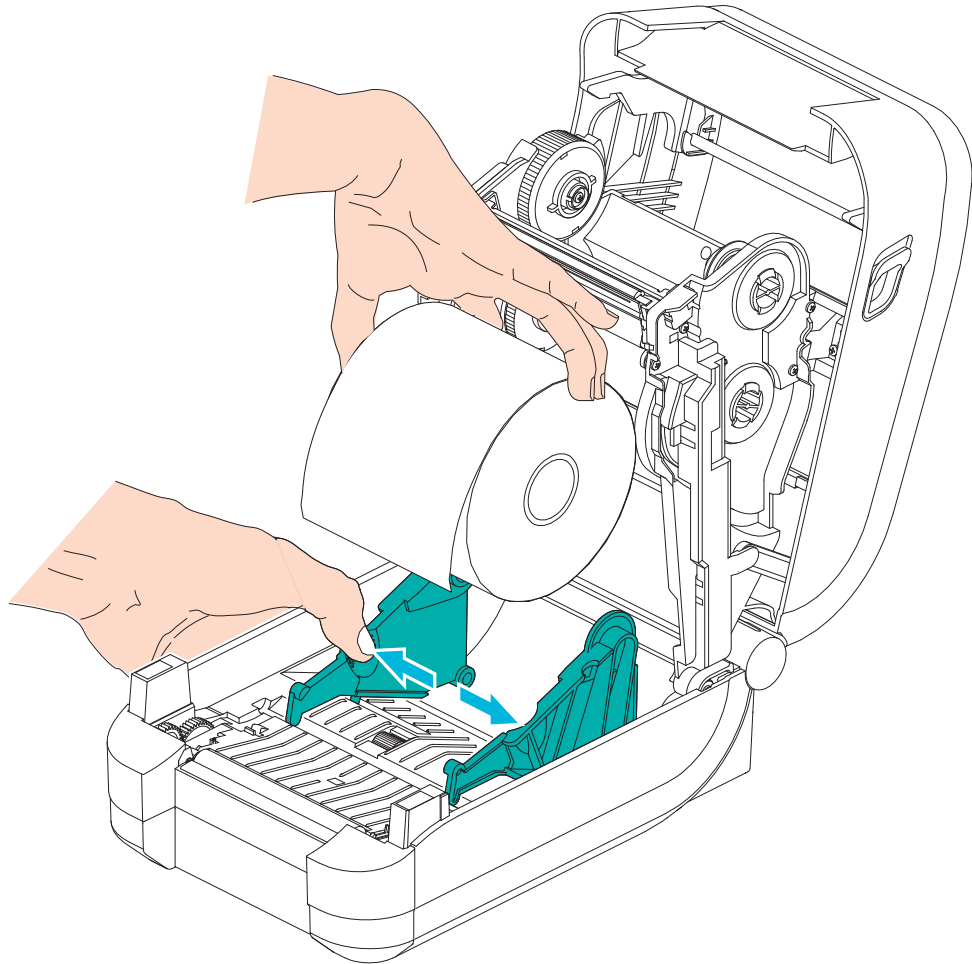


Default - Web (Gap) Sensing
Standard Operating Position

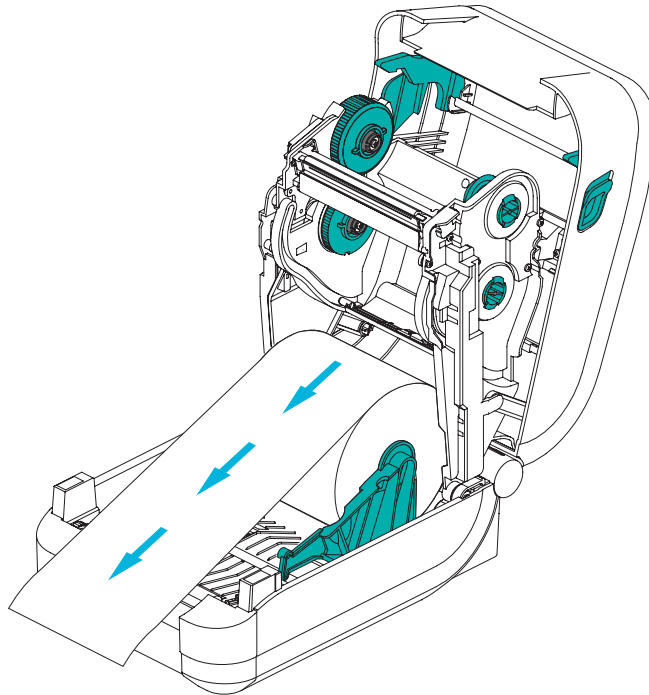


Placing the Roll in the Media Compartment

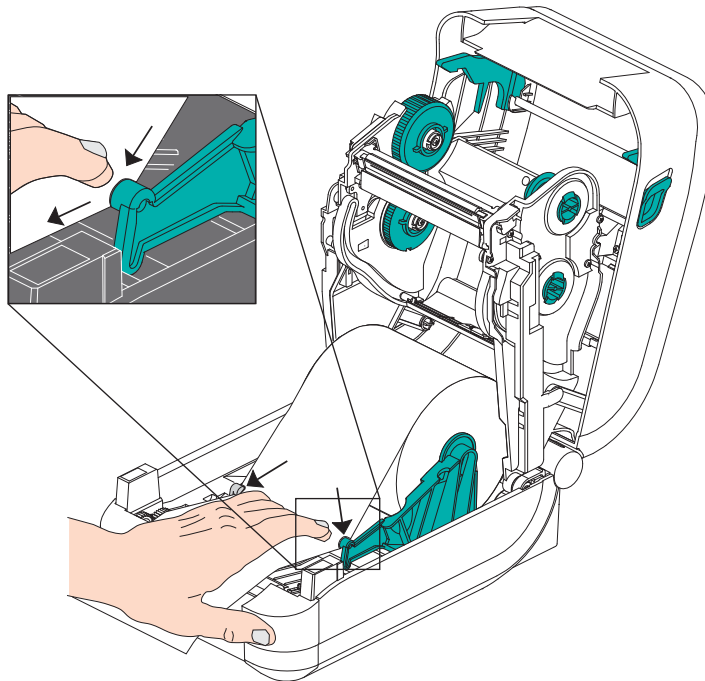
1. Open the printer. Remember that you need to pull the release latch levers toward the front of the printer.
2. Open the media roll holders. Pull the media guides open with your free hand and place the media roll on the roll holders and release the guides. Orient the media roll so that its printing surface will face up as it passes over the platen (drive) roller.



3. Pull the media so that it extends out of the front of the printer. Verify the roll turns freely. The roll must not sit in the bottom of the media compartment. Verify that media's printing surface is facing up.



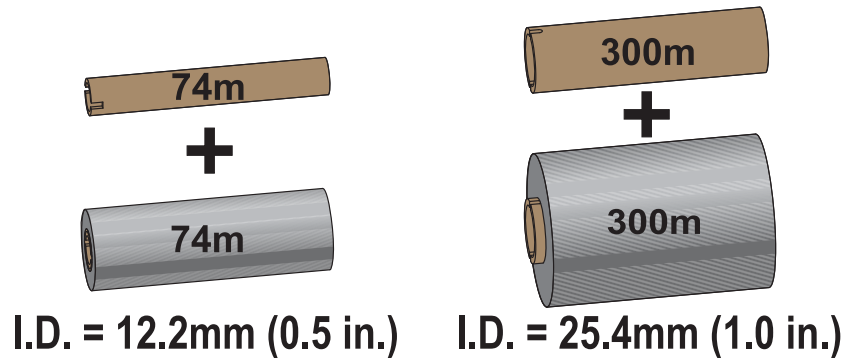
4. Push the media under both of the media guides.



5. Unless you need to load transfer ribbon, close the top cover.
6. If printer power is on, press the Feed Button to feed media. Otherwise, wait to turn on the printer and complete the printer 'Getting Started' instructions in this chapter.

Loading Transfer Ribbon

The GT-Series™ printer has a flexible ribbon system. It supports 300 meter and 74 meter genuine Zebra® ribbons. It also supports third party ribbons with two ribbon roll core adapters for ribbons with an internal diameter (I.D.) of 25.4 millimeters (1 inch).



Transfer ribbons come in several varieties and in some cases colors to match your application needs. Genuine Zebra® transfer ribbons are specifically designed for your printer and Zebra brand media. Using non-Zebra media or ribbons not approved for use in your Zebra® printer may damage your printer or printhead.

- The media and ribbon types should be matched to provide you with optimal print results.
- Always use ribbon that is **wider** than the media to protect the printhead from wear.
- For direct thermal printing, do not load ribbon in the printer.
- Always use an empty ribbon core that matches your transfer ribbon roll's inner diameter (I.D.). Ribbon wrinkling and other print problems can occur.

Your printer needs to use genuine Zebra® ribbons that have a ribbon out trailer (reflector) to stop printing when empty. Genuine Zebra® ribbons and ribbon cores also include notches used to maintain positive ribbon roll engagement and drive without slipping while printing.

Genuine Zebra® ribbons for this printer include:

- Performance Wax
- Premium Wax/Resin
- Performance Resin for synthetics (6 ips max. speed) and coated paper (4 ips max. speed)
- Premium Resin for synthetics (4 ips max. speed)

See [Ribbon Overview on page 48](#) for more information on ribbon use.



Important • 74 Meter Ribbons

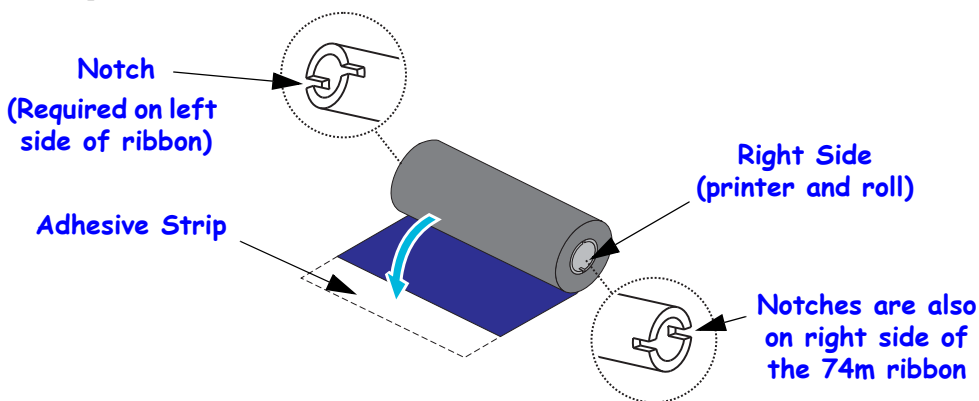
DO NOT USE early model desktop printer ribbon cores! The older ribbon cores can be identified by notches on only one side of the ribbon core. These older cores are too large.



Note • DO NOT USE ribbon cores with damaged notches - rounded, frayed, smashed, etc. The core notches should be square to lock the core on the spindle or the core may slip causing ribbon wrinkle, poor end of ribbon sensing or other intermittent failures.

Loading Zebra Transfer Ribbon

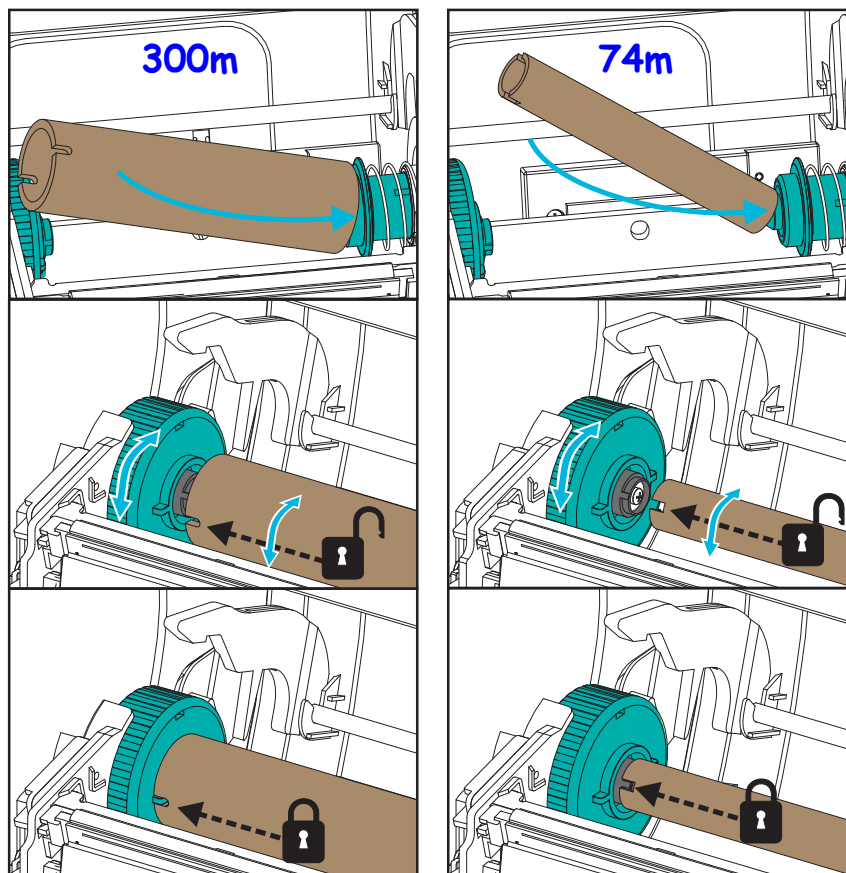
Before following these steps, prepare the ribbon by removing its wrapping and pulling its adhesive strip free.



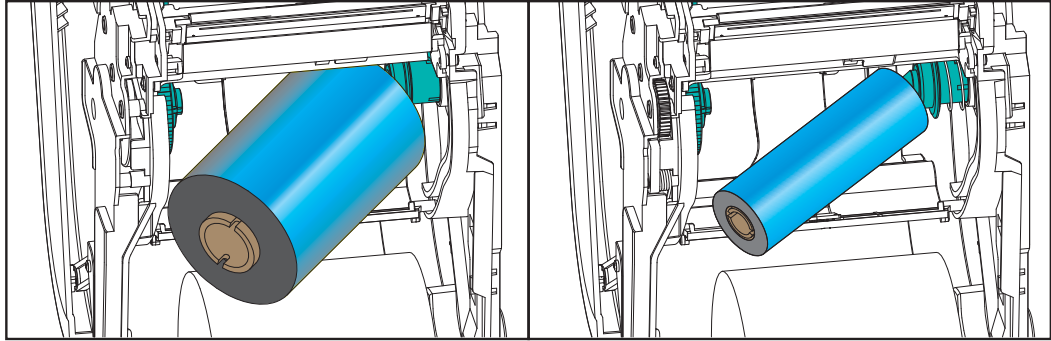
Verify that the ribbon and empty ribbon core have notches on the left side of the ribbon cores as shown above. If they do not, see [Loading Non-Zebra Transfer Ribbon on page 20](#).

1. With the printer open, place an empty ribbon core on printer's take-up spindles. Push the right side of the empty core onto the spring loaded spindle (right side). Align the core with the center of the left side spindle's hub and rotate the core until the notches align and lock.

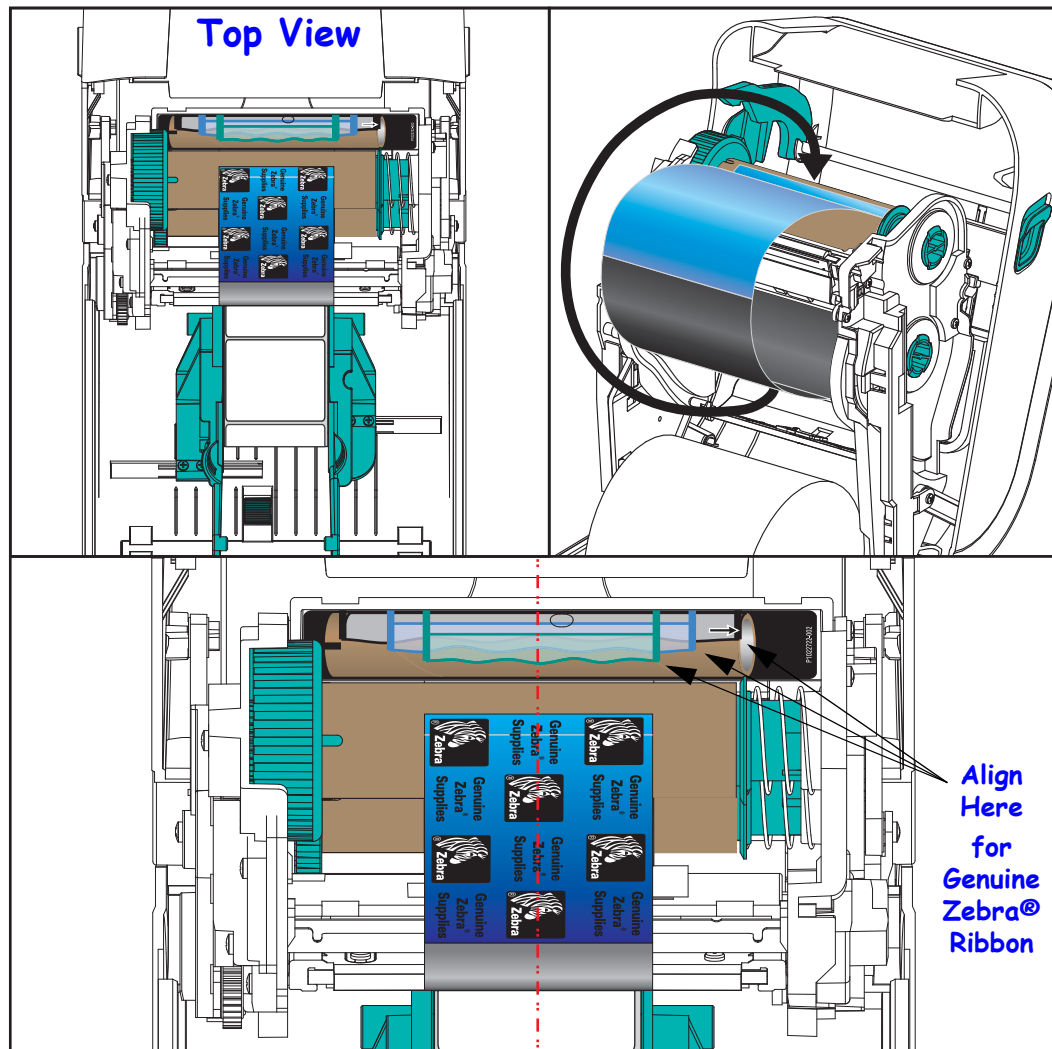
You can find your first ribbon take-up core in the packing box. Subsequently, use the empty supply core from the supply spindle for the next roll of ribbon.



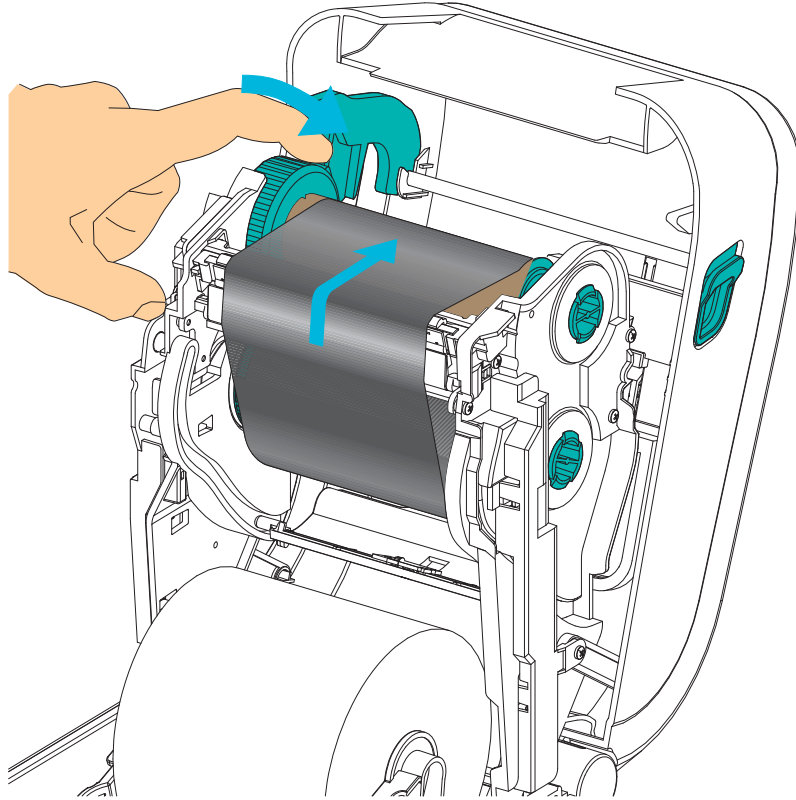
- Place a new ribbon roll on printer's lower ribbon supply spindle. Push it onto the right spindle and lock the left side the same as the take-up mounting the take-up core.



- Attach the ribbon to the take up core. Use the adhesive strip on new rolls; otherwise, use a thin strip of tape. A ribbon core graphic with the three (3) standard genuine Zebra® ribbon widths helps you visually align the transfer ribbon to the media and supply ribbon roll. Align the ribbon so that it will be taken straight onto the core.



4. Turn the ribbon take-up hub with the top moving toward rear to remove slack from the ribbon. Rotating the hub helps to finish aligning the take up ribbon position to the supply ribbon roll. The ribbon leader should be completely covered by the ribbon.



5. Verify that the media is loaded and ready to print and then close the printer cover.
6. If printer power is on, press the Feed button to have the printer feed a minimum of 20 cm (8 inches) of media to remove slack and ribbon wrinkle (straightens the ribbon), and to align the ribbon on the spindles. Otherwise, wait to turn on the printer and complete the printer 'Getting Started' instructions in this chapter.
7. Change the print mode setting from direct thermal printing to thermal transfer to set the printer's temperature profiles for thermal transfer media. This can be done with the printer driver, application software, or printer programming commands.
 - When controlling printer operations with ZPL programming, refer to the Media Type (^MT) ZPL II command (follow the instructions in the ZPL Programming Guide).
 - When controlling printer operations with EPL Page Mode, refer to the Options (O) EPL command (follow the instructions in the *EPL Page Mode Programmer's Guide*).
8. To verify the mode change from direct thermal printing to thermal transfer printing, use the [Test Printing \(Configuration Report\) on page 26](#) to print a configuration label. The 'PRINT METHOD' should read 'THERMAL-TRANS' on the printer configuration status label.

Your printer is now ready to print.

Loading Non-Zebra Transfer Ribbon

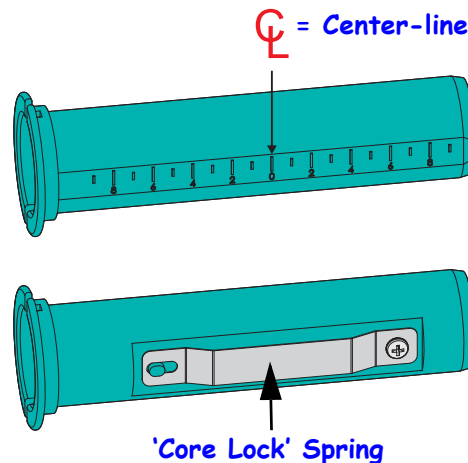
Loading non-Zebra transfer ribbon in your printer requires the use of Zebra ribbon core adapters.

Minimum requirements to use non-Zebra ribbons with your printer:

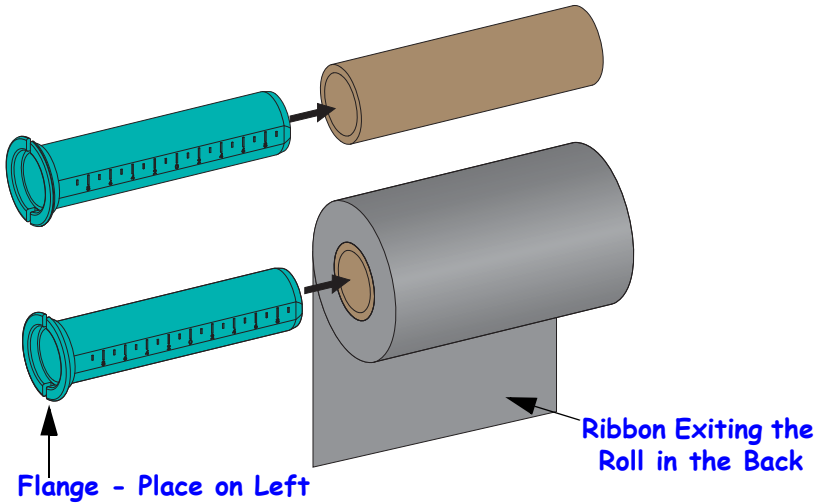
- Inside core diameter (I.D.) of 25.4mm (1.0 inch, range 1.004 to 1.016 inches).
Material: Fiberboard; hard materials such as plastic cores may not function correctly.
- Ribbon width range of 110 to 33mm (4.3 to 1.3 inches).
- The maximum outer diameter of the ribbon is 66mm (2.6 inches).

Caution • Using non-Zebra media or ribbons not approved for use in your Zebra® printer may damage your printer or printhead. Image quality may also be affected by poor or marginal ribbon performance (maximum print speed, ink formulation, etc.), core material (too soft or hard), and fit (loose or tight ribbon core or exceeds maximum outer diameter - 66mm).

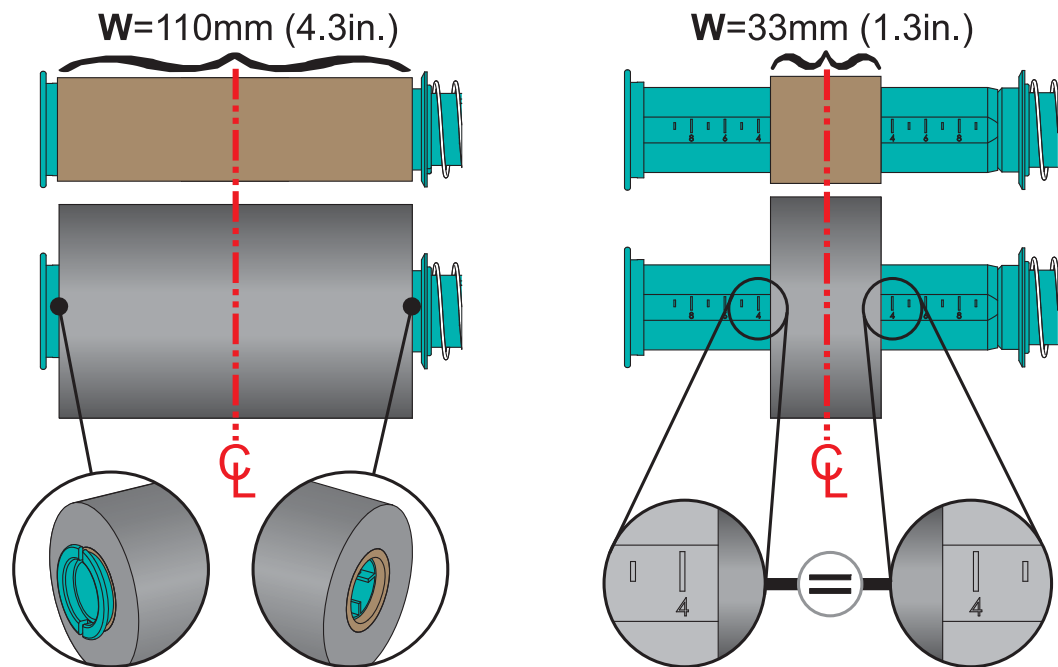
The adapters help you align the ribbon and core to the media (and printer's) center. The adapters include a 'core lock' spring to engage the soft fiberboard inside of the ribbon core and scale measured from the printer's center-line when mounted in the printer.



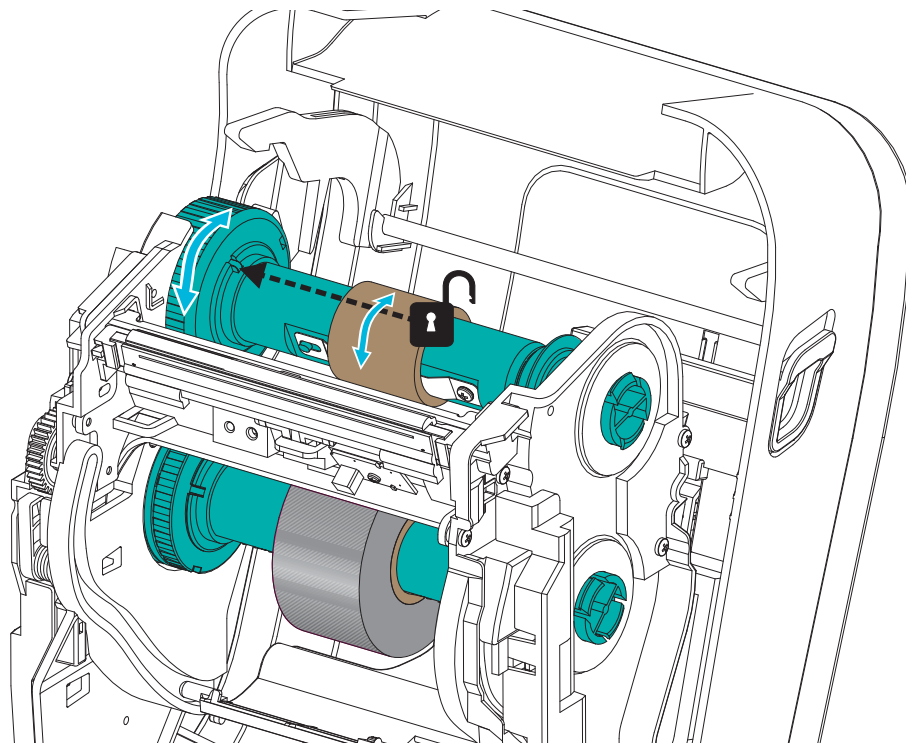
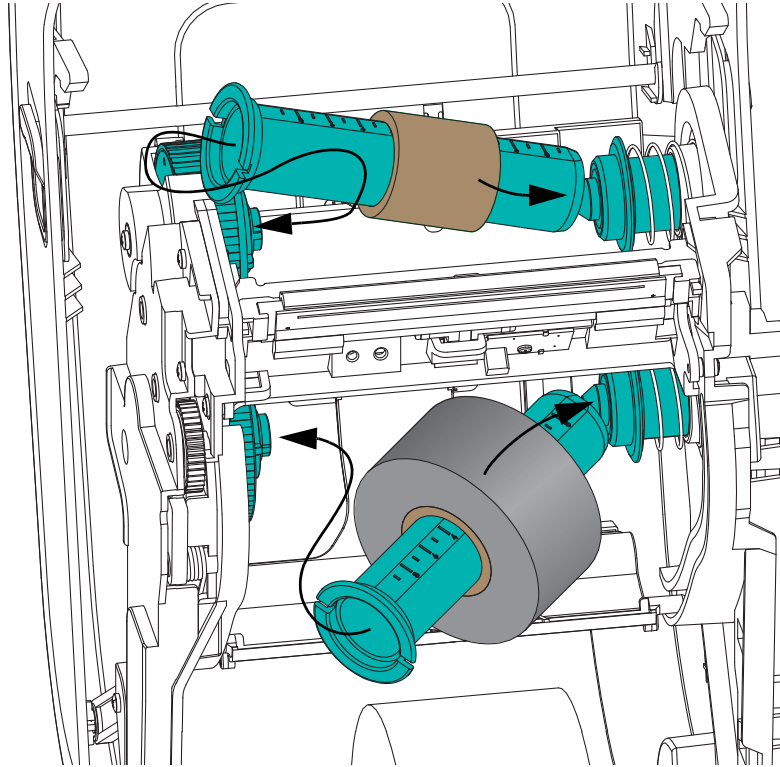
1. Load an empty ribbon core onto a ribbon core adapter. The empty ribbon core should be the same width (or larger) than the ribbon roll. Roughly center the core over the adapters center line. Note that an empty Zebra ribbon core may be used instead of the adapter and empty non-Zebra ribbon core. One 300m empty ribbon core is supplied with the printer.
2. Load the non-Zebra ribbon roll onto the ribbon core adapter. Orient the adapter flange on the left side and verify that the ribbon unwraps on the backside of the roll as shown in the illustration. Roughly center the core over the adapters center line.



The maximum roll width of 110mm (4.3 inches) does not require centering. For media less than maximum width down to the minimum width of 33mm (1.3 inches), use the graduated scale on the adapter core to align the ribbon rolls to the media and printer.

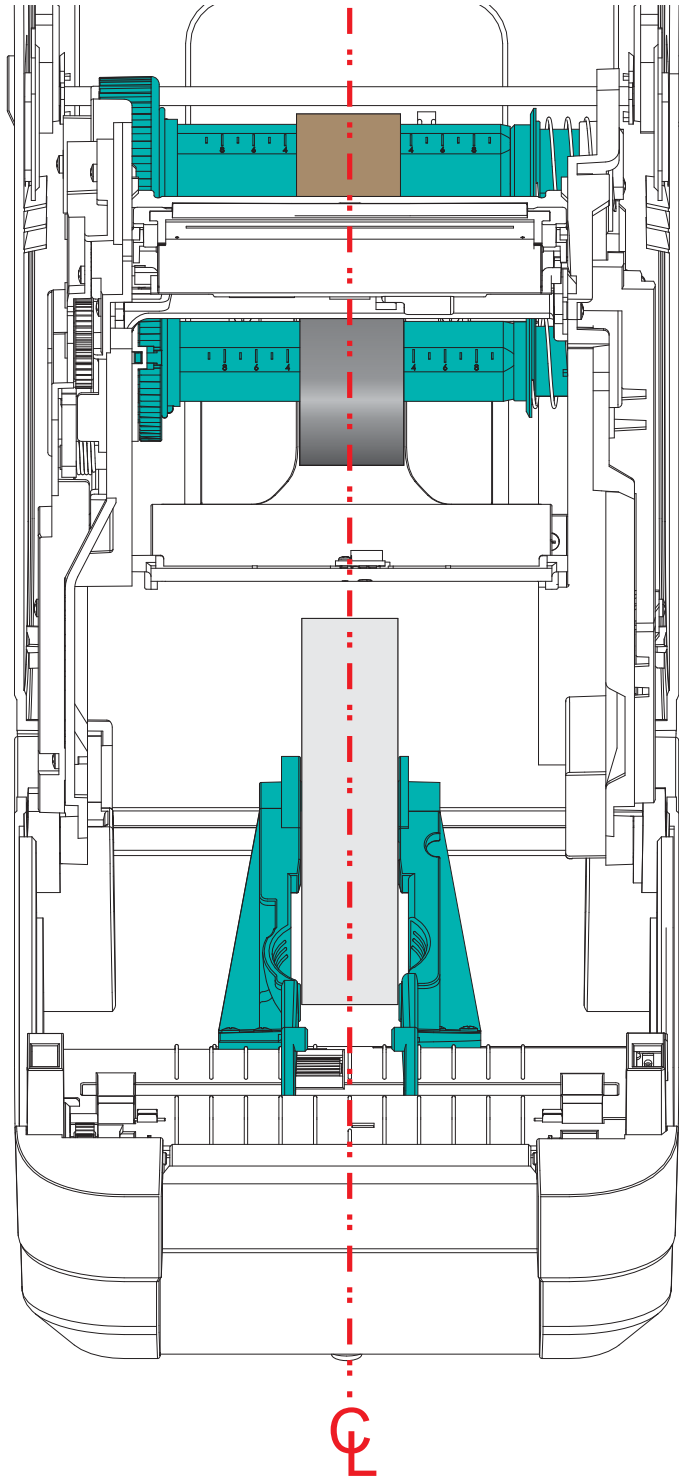


3. Place the adapter with an empty core on the take-up spindles and the adapter with the ribbon roll on the lower supply spindles. The right side of the core adapter fits on the cone tip on each of the spring loaded right side spindles. Continue pushing the adapter onto right side spindle and swing the adapter onto the left side spindle hubs. Rotate the adapters and hubs until the until notches on the adapters flange align and lock ton the left spindles hub spokes.

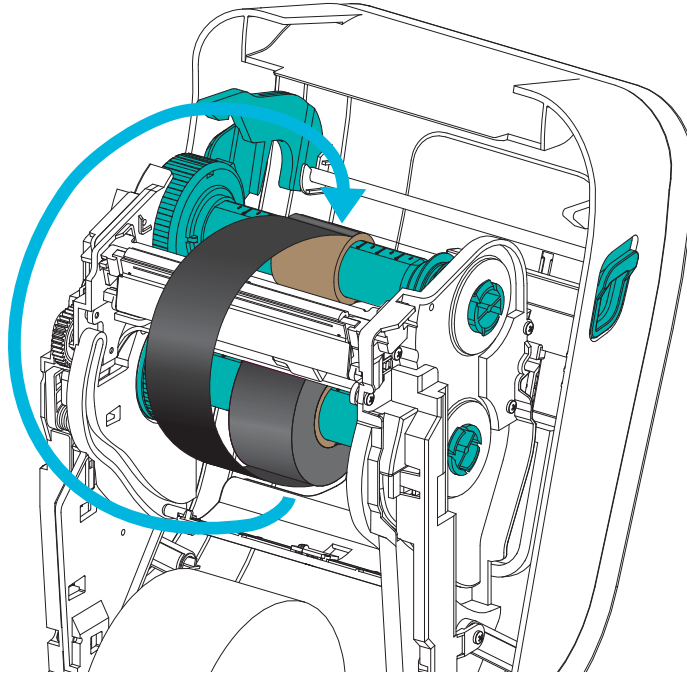


4. While the ribbon and empty cores were being installed during the previous steps, they may have been bumped off center. Verify that the ribbon roll and empty core are aligned to the center of the media (labels, paper, tags, etc.). Remember that you can use the center line scales on the ribbon core adapter to place their positions.

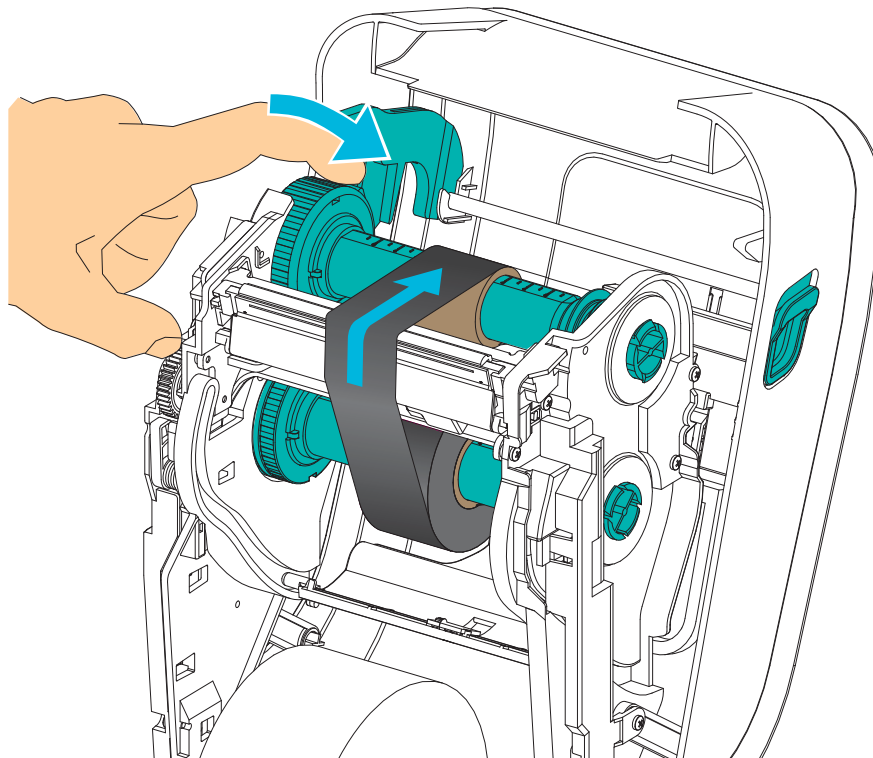
If you have forgotten to check if the ribbon is wide enough for the media in use, now is the time to check. The ribbon must be wider than the media (including the label liner or backing) to protect the printhead.



5. Attach the ribbon to the take up core. Use thin strip of tape to secure the ribbon to the take-up core, if your media does not have an adhesive strip on the ribbon leader like genuine Zebra® ribbon. Align the ribbon so that it will be taken straight onto the core.



6. Turn the ribbon take-up hub with the top moving toward rear to remove slack from the ribbon. Rotating the hub helps to finish aligning the take up ribbon position with the supply ribbon roll. The ribbon should be wound, at minimum, one and a half times around the take-up ribbon core.



7. Verify that the media is loaded and ready to print and then close the printer cover.
8. If printer power is on, press the Feed button to have the printer feed a minimum of 20 cm (8 inches) of media to remove slack and ribbon wrinkle (straightens the ribbon), and to align the ribbon on the spindles. Otherwise, wait to turn on the printer and complete the printer 'Getting Started' instructions in this chapter.
9. Change the print mode setting from direct thermal printing to thermal transfer to set the printer's temperature profiles for thermal transfer media. This can be done with the printer driver, application software, or printer programming commands.
 - When controlling printer operations with ZPL programming, refer to the Media Type (^MT) ZPL II command (follow the instructions in the *ZPL Programming Guide*).
 - When controlling printer operations with EPL Page Mode, refer to the Options (O) EPL command (follow the instructions in the *EPL Page Mode Programmer's Guide*).
10. To verify the mode change from direct thermal printing to thermal transfer printing, use the *Test Printing (Configuration Report)* on page 26 to print a configuration label. The 'PRINT METHOD' should read 'THERMAL-TRANS' on the printer configuration status label.

Your printer is now ready to print.

Test Printing (Configuration Report)

Before you connect the printer to your computer, make sure that the printer is in proper working order.

You can do this by printing a configuration report.

1. Make sure the media is properly loaded and the top cover of the printer is closed. Then, turn the printer power on (if you have not already done so). If the printer initializes with the status light blinking green (pause mode), press the Feed button once to set the printer in Ready (to print) mode. See the [Troubleshooting on page 81](#) if the printer's status light does not turn solid green (Ready).
2. Press the Feed button two to three times to allow the printer to calibrate the printer for the installed media. The printer may feed several labels during this process.
3. When the status light is solid green, press and hold the Feed button until the status light flashes once.
4. Release the Feed button. A configuration report will print.

If you cannot get this label to print, refer to [Getting Started on page 9](#).

PRINTER CONFIGURATION	
Zebra Technologies	
ZTC GT800-300dpi EPL	
24.0.....	DARKNESS
LOW.....	DARKNESS SWITCH
4 IPS.....	PRINT SPEED
+000.....	TEAR OFF
TEAR OFF.....	PRINT MODE
GAP/NOTCH.....	MEDIA TYPE
WEB.....	SENSOR TYPE
AUTO.....	SENSOR SELECT
DIRECT-THERMAL.....	PRINT METHOD
1200.....	PRINT WIDTH
1525.....	LABEL LENGTH
39.0IN 975MM.....	MAXIMUM LENGTH
NOT CONNECTED.....	USB COMM.
BIDIRECTIONAL.....	PARALLEL COMM.
9600.....	BAUD
8 BITS.....	DATA BITS
NONE.....	PARITY
DTR & XON/XOFF.....	HOST HANDSHAKE
NONE.....	PROTOCOL
AUTO.....	SER COMM. MODE
LINER/TAG FULL.....	CUTTER TYPE
< > 7EH.....	CONTROL CHAR
< > 5EH.....	COMMAND CHAR
< > 2CH.....	DELIM. CHAR
ZPL II.....	ZPL MODE
NO MOTION.....	MEDIA POWER UP
NO MOTION.....	HEAD CLOSE
DEFAULT.....	BACKFEED
+000.....	LABEL TOP
+0000.....	LEFT POSITION
NO.....	HEXDUMP
043.....	WEB S.
096.....	MEDIA S.
015.....	WEB GAIN
029.....	MARK S.
017.....	MARK GAIN
096.....	MARK MED S.
089.....	MARK MEDIA GAIN
095.....	CONT MEDIA S.
007.....	CONT MEDIA GAIN
075.....	RIBBON OUT
040.....	RIBBON GAIN
066.....	TAKE LABEL
CHF.....	MODES ENABLED
.....	MODES DISABLED
1280 12/MM FULL.....	RESOLUTION
V70.17.182G01 <-.....	FIRMWARE
1.3.....	XML SCHEMA
V29.00.06.....	HARDWARE ID
CUSTOMIZED.....	CONFIGURATION
2104k.....	RAM
6144k.....	ONBOARD FLASH
NONE.....	FORMAT CONVERT
DISABLED.....	ZBI
2.1.....	ZBI VERSION
435 IN.....	LAST CLEANED
435 IN.....	HEAD USAGE
435 IN.....	TOTAL USAGE
435 IN.....	RESET CNTR1
435 IN.....	RESET CNTR2
11J142300559.....	SERIAL NUMBER
MAINT. OFF.....	EARLY WARNING
FIRMWARE IN THIS PRINTER IS COPYRIGHTED	

Pre-install Windows® Printer Drivers

Zebra is changing the way you install and use your printer with your Windows based PC systems. We recommend that at minimum, the ZebraDesigner™ Windows® driver be pre-installed to take advantage of the advancements in ease of use and simplicity of the Windows operating systems since the release of Windows XP® SP2.

Zebra provides the Zebra Setup Utilities (ZSU); a suite of Zebra® printer drivers, utilities, and communications and installation tools for use with most Windows PC operating systems. Zebra Setup Utilities and Zebra Windows printer drivers are available on the user's CD and the Zebra Web site (www.zebra.com) for latest versions.

ZebraDesigner™ Driver and Zebra Setup Utilities (includes the driver): Supports Windows 8®, Windows 7®, Windows Vista®, Windows XP®, Windows® 2000®, Windows Server® 2008, and Windows Server® 2003 operating systems. The driver supports 32 bit and 64 bit Windows operating systems and is Microsoft Certified. Zebra Setup Utilities and the ZebraDesigner driver support the following printer communication interfaces: USB, parallel, serial, Wired and Wireless Ethernet and Bluetooth (using a Bluetooth virtual printer port).

Install the Zebra Setup Utilities before applying power to the printer connected to the PC (running a Zebra driver supported Windows operating system). The Zebra Setup Utility will prompt you to apply the printer power. Continue to follow the instructions to complete your printer installation.

Plug'N'Play (PnP) Printer Detection and Windows® operating systems

More recent Windows operating systems automatically detect the printer when it is connected via the USB interface. Depending on the hardware configuration and the Windows version, your printer may be Plug-and-Play (PnP) detected when connecting to the USB, parallel, or serial port interfaces. The printer drivers do not support serial port PnP installation at this time. The printer's PC interface configuration for the parallel port must support and have bidirectional communications for PnP operations.

The operating system automatically starts a "Add new hardware" wizard when connecting the printer for the first time to the PC. If you have pre-loaded the driver suite with the Zebra Setup Utility, then the printer driver will automatically install. Go to your Windows printer directory and right-click and select 'Properties'. Click on the 'Print test page' button to verify a successful installation.

The Windows operating system will detect and re-link a previously installed printer if it is reconnected to the USB interface or if printer power is turned on after the PC has finished its restart of the operating system. Ignore the new device detected warnings and close the Task bar prompts. Wait several seconds for the operating system to match the printer to the driver software. The warnings will quit and the printer now should be ready to begin printing.

Universal Serial Bus (USB) Device Communications

The printer is a terminal device (not a host or hub) when using a USB interface. You can refer to the USB Specification for details regarding this interface.



Note • Scanners, scales or other data input (terminal) devices must use the serial port (not the USB port) to send data to the printer.

Serial Port and Windows® operating systems

The Windows operating system default settings for the serial port communication closely match the printer's default settings with one exception; the data *Flow Control* settings. The Windows default data *Flow Control* setting is **NONE**. The GT-Series™ printer requires data *Flow Control* set to **Hardware**.



Note • The GT-Series™ printer does not support Windows® Serial Port Plug and Play (PnP) device detection at this time.

Ethernet

This printer option has a variety of methods and utilities to assist with printer connection to a network (WAN or LAN) and to configure Wired and Wireless (Wi-Fi) printers. The Zebra Setup Utility configuration wizards support creating a connection to the printer on a shared network with Windows based systems by using the printer's IP address. The printer includes internal Web pages to provide easy access to printer and network configuration. The web pages are accessible via the printer's IP address using any web browser. The free version of ZebraNet™ Bridge software allows you to centrally deploy, manage, and monitor your Zebra® printers with automatic Zebra® printer discovery up to 3 printers from a single PC screen anywhere on your global network. ZebraNet™ Bridge Enterprise is available for purchase to manage larger numbers of Zebra® printers.

Connecting your Printer to a Computer

The Zebra® GT-Series™ printers support a variety of interface options and configurations. These include: Universal Serial Bus (USB) interface, RS232 Serial, Parallel (IEEE 1284.4) and 10/100 Ethernet.

- USB, Serial and Parallel
- Optional: USB and Ethernet (Wired)

The Zebra Setup Utility is designed to assist you with installing these interfaces. The cabling and unique parameters for each of these physical printer communication interfaces is discussed in the following pages to assist you with making configuration setup choices prior to and immediately following applying power. The Zebra Setup Utilities configuration wizards will instruct you to turn the printer's power on at the appropriate time to complete the installation of your printer.



Caution • Keep the power switch in the OFF position when attaching the interface cable. The power cord must be inserted into the power supply and the power receptacle on the back of the printer before connecting or disconnecting the communications cables.

Interface Cable Requirements

Data cables must be of fully shielded construction and fitted with metal or metallized connector shells. Shielded cables and connectors are required to prevent radiation and reception of electrical noise.

To minimize electrical noise pickup in the cable:

- Keep data cables as short as possible (6 foot [1.83 m] recommended).
- Do not tightly bundle the data cables with power cords.
- Do not tie the data cables to power wire conduits.

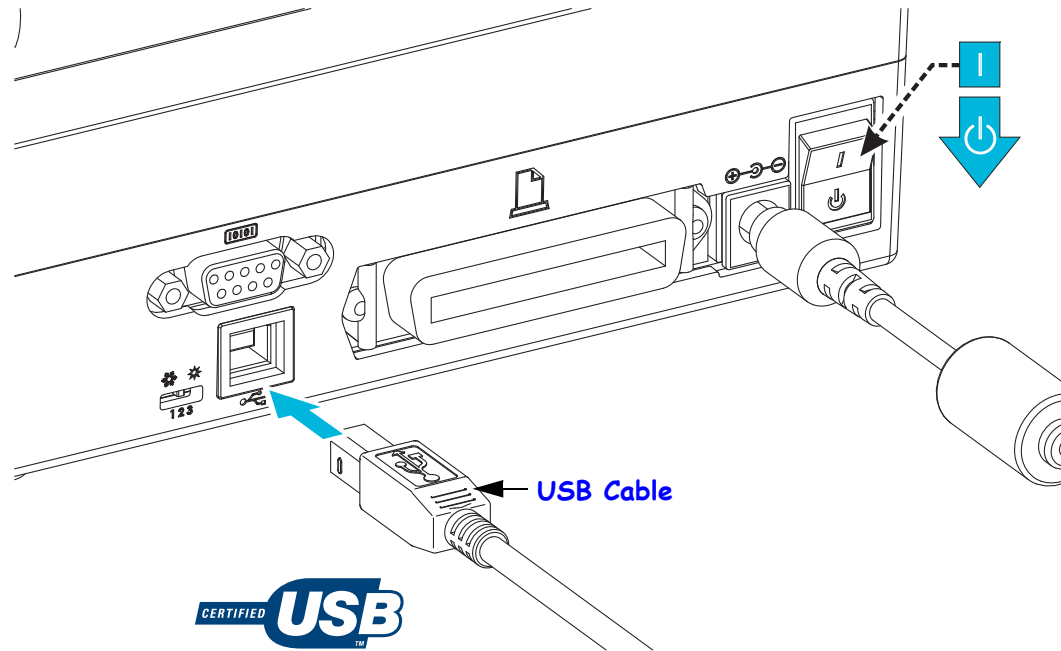


Important • This printer complies with FCC “Rules and Regulations,” Part 15, for Class B Equipment, using fully shielded data cables. Use of un-shielded cables may increase radiated emissions above the Class B limits.

USB Interface

Universal Serial Bus (version 2.0 compliant) provides a fast interface that is compatible with your existing PC hardware. USB's "plug and play" design makes installation easy. Multiple printers can share a single USB port/hub.

When using a USB cable (not supplied with your printer), verify that the cable or cable packaging bears the "Certified USB™" mark (see below) to guarantee USB 2.0 compliance.



Serial Port Interface

The GT-Series™ printer has a DCE serial communication port for hardware compatibility with legacy 888 printers. The required cable must have a nine-pin “D” type (DB-9P) male connector on one end which plugs into the mating (DB-9S) serial port located on the back of the printer. The other end of this signal interface cable connects to a serial port on the host computer. The cable is a Null-Modem (cross-over signal connections) cable. For pinout information, refer to Appendix A.

The serial port communication settings between the printer and host (typically a PC) must match for reliable communication. The Bits per second (or Baud rate) and Flow control are the most common settings that get changed. The host (typically a Windows PC) needs to have the data Flow control changed to match the printer’s default communication method: Hardware and is noted by the Host Handshake setting **DTR/Xon/Xoff**. This combined hardware (DTR) and software (Xon/Xoff) mode may need to change depending upon use with non-Zebra application software or the serial cable variation in use.

Serial communications between the printer and the host computer can be set by:

- Autobaud synchronization.
- ZPL programming **^SC** command.
- EPL programming **Y** command.
- Resetting the printer to its default printer configuration.

Autobaud

Autobaud synchronization allows the printer to automatically match the communication parameters of the host computer. To autobaud:

1. Press and hold the feed button until the green status LED flashes once, twice, and then three times.
2. While the status LED flashes, send the **^XA^XZ** command sequence to the printer.
3. When the printer and host are synchronized, the LED changes to solid green. (No labels will print during autobaud synchronization.)

ZPL ^SC Command

Use the Set Communications (**^SC**) command to change the settings on the printer.

1. With the host computer set at the same communications settings as the printer, send the **^SC** command to change the printer to the desired settings.
2. Change the host computer settings to match the new printer settings.

Refer to the *ZPL Programming Guide* for more information about this command.

EPL Y Command

Use the serial port setup (**Y**) command to change the communications settings on the printer.

1. With the host computer set at the same communications settings as the printer, send the **Y** command to change the printer to the desired settings. Note: the Y command does not support setting the data flow control, use the **Xon/Xoff** setting.
2. Change the host computer settings to match the new printer settings.

Refer to the *EPL Page Mode Programming Guide* for more information about this command.

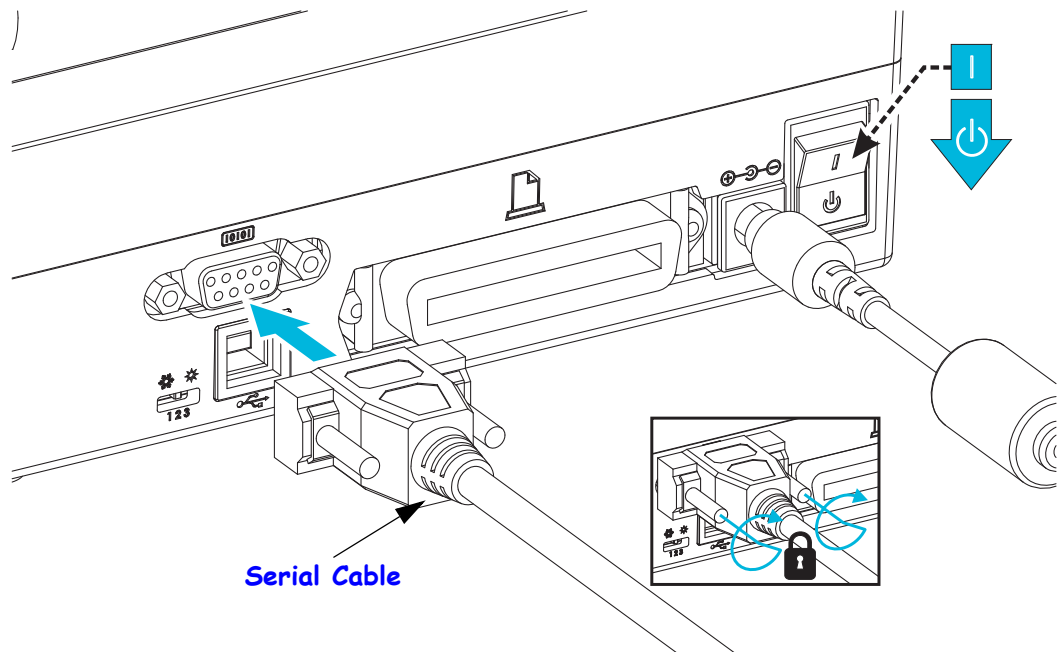
Resetting the Default Serial Port Parameters

Do the following to reset the communications parameters on the printer to the factory defaults (serial communication settings are: **9600** baud, **8** bit word length, **NO** parity, **1** stop bit, and **DTR/XON/XOFF** data flow control).

1. Press and hold the feed button until the green status LED flashes once, pauses, flashes twice, and pauses and flashes three times. Release immediately.
2. While the status LED rapidly flashes amber and green, press the feed button. Serial communications between the printer and the host computer can be set by the ZPL **^SC** command or the EPL **Y** command.

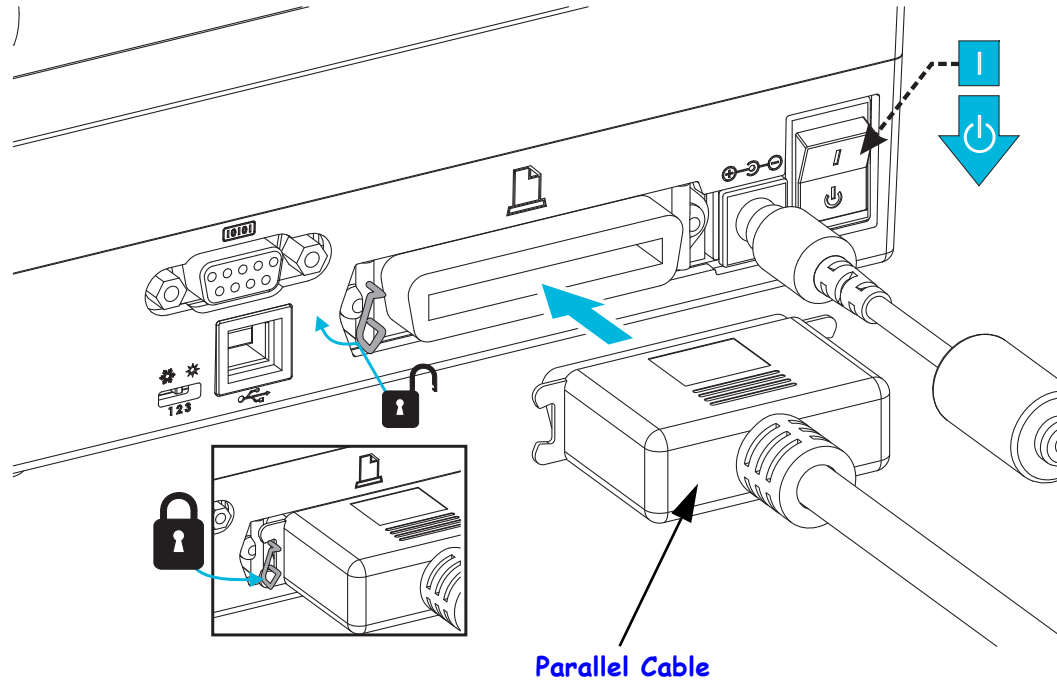


Note • Early models of Zebra® printers running the EPL programming language had **9600** baud, **NO** parity, **8** data bits, **1** stop bit and a **HARDWARE** and **SOFTWARE** (merged) data control (essentially DTR/Xon/Xoff) as the default serial port settings. The Windows operating system flow control setting was Hardware for most applications.



Parallel Port Interface

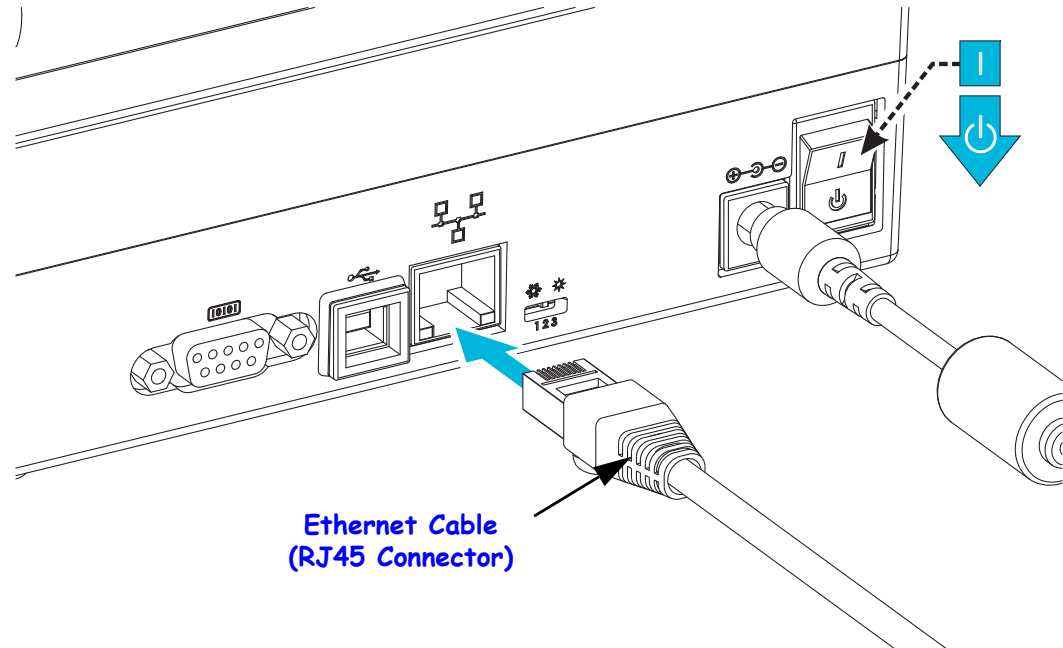
The required cable must have a 25 pin “D” type (DB-25P) male connector (host) on one end and a Centronics (printer) on the other end (IEEE 1284 A-B parallel interface specification).



Ethernet Interface

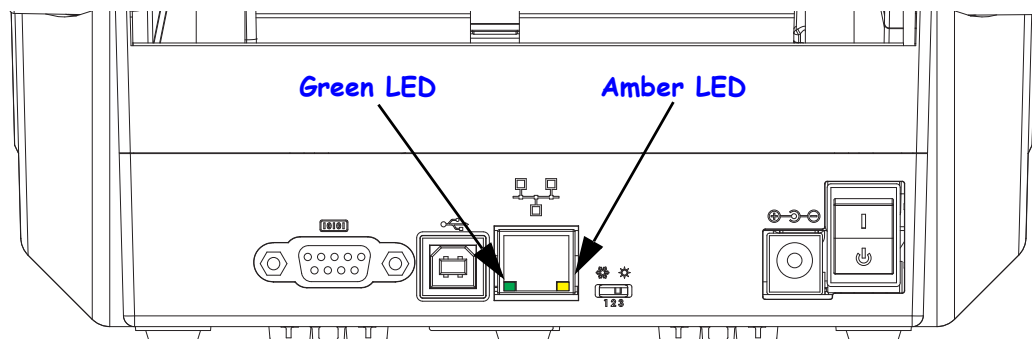
The printer requires UTP RJ45 Ethernet cable rated CAT-5 or better.

For more information on configuring your printer to run on a compatible Ethernet based network, see the ZebraNet® 10/100 Internal Print Server manual. The printer must be configured to run on your LAN (local area network) or WAN (wide area network). The print server on board your printer can be accessed through the printer's Web pages.



Ethernet Status/Activity Indicators

LED Status	Description
Both OFF	No Ethernet link detected
Green	100 Mbps link detected
Green with the Amber flickering on and off	100 Mbps link and Ethernet activity detected
Amber	10 Mbps link detected
Amber with the Green flickering on and off	10 Mbps link and Ethernet activity detected



After Your Printer is Connected

Now that you have basic communication to your printer, you may want to test printer communications and then install other printer related applications, drivers or utilities.

Testing Communications by Printing

Verifying the print system's operation is a relatively simple process. For Windows operating systems, the Zebra Setup Utility or the Windows 'Printers and Faxes' Control Panel to access and print a test label. For non-Windows operation systems, copying a basic ASCII text file with a single command (**~WC**) to print a configuration status label.

Test Printing with Zebra Setup Utility:

1. Open the Zebra Setup Utility.
2. Click on the newly installed printer's icon to select the printer and activate the printer configuration buttons below it in the window.
3. Click the 'Open Printer Tools' button.
4. In the 'Print' tab window, click on the 'Print configuration label' line and click on the 'Send' button. The printer should print a configuration status label.

Test Printing with Windows 'Printer and Faxes' menu:

1. Click on the Windows 'Start' menu button, to access the 'Printers and Faxes' menu or 'Control Panel' to access the 'Printers and Faxes' menu. Open the menu.
2. Select the newly installed printer's icon to select the printer and right-click the mouse to access the printer 'Properties' menu.
3. From the printer's 'General' tab window, click on the 'Print Test Page' button. The printer should print a Windows test print page.

Test Print on a Ethernet printer connected to a network (LAN or WAN) with a (MS-DOS) 'Command Prompt' (or 'Run' from the Windows XP Start menu):

1. Create a text file with the following ASCII three characters: **~WC**
2. Save the file as: TEST.ZPL (an arbitrary file name and extension name).
3. Read the IP address off the printer's Configuration Status Label's Network Status printout. On a system that is connected to the same LAN or WAN as the printer, type the following in the Web browser window's address bar and enter:

```
fpt (IP address)  
(for IP address 123.45.67.01 it would be: ftp 123.45.67.01)
```

4. Type the word 'put' followed by the file name and enter. For this 'test print' file, it would be: **put TEST.ZPL**
The printer should print a new Print Configuration Status label.

Test Print with a Copied ZPL Command File for Non-Windows Operating Systems:

1. Create a text file with the following ASCII three characters: **~WC**
2. Save the file as: TEST.ZPL (an arbitrary file name and extension name).
3. Copy the file to the printer. For DOS, a file sent to a printer connected to the system's parallel port would be as simple as:

COPY TEST.ZPL LPT1

Other interface connection types and operating systems will have different command strings. See your operating system documentation for detailed instructions to copy to the appropriate printer interface for this test.

Printing with Your Printer

The printer's basic setup for operation as a print system has been completed.

The next step is to setup the media and print control parameters for your chosen media type (direct thermal (no ribbon) or thermal transfer (uses ribbon), print speed, print darkness, media handling (sensing, positioning, dispense option use, cut option use), labels, receipt, tags, etc.). The next chapter, *Print Operations on page 37*, will help general printer and media setup. See the *Printer Options on page 57*, for details on setup and operation of these optional printer variations. The easiest method to access and control most of these media and print control parameters and operations can be found in the printer driver.

The last step is to design a printout format (label, receipt, tag, etc.). Zebra has included the free version of Zebra Designer, a print design program for Zebra printers, on the User's CD or on the Zebra web site. This program is designed for beginner's and includes some features for the advanced systems or programmer too.

Systems administrators and programmer's can also find information, firmware, utilities, applications, etc. to assist you with deploying, maintaining, updating and integrating the printer on the Zebra web site.

All setup, general operation, and print formatting can be performed via programming and is typically not done by the 'user'. See the ZPL Programmer's Guide for details and can be found on the User's CD and on the Zebra web site.

www.zebra.com

Print Operations

This section provides media and print handling, font and language support, and the setup of less common printer configurations.

Contents

Determining Printer Configuration	38
Modes of Printing	38
Print Media Types	39
Determining Thermal Media Types	41
Replacing Supplies	41
Adding a New Transfer Ribbon	41
Replacing a Partially Used Transfer Ribbon	42
Adjusting the Print Width	42
Adjusting the Print Quality	42
Media Sensing	43
Using the Movable Black Mark Sensor	44
Adjusting the Movable Sensor for Black Marks or Notches	45
Adjusting the Movable Sensor for Web (Gap) Sensing	47
Ribbon Overview	48
When to Use Ribbon	48
Coated Side of Ribbon	48
Printing on Fan-Fold Media	50
Printing with Externally Mounted Roll Media	52
Fonts and Your Printer	53
Localizing the Printer with Code Pages	53
Identifying Fonts in Your Printer	54
Stand Alone Printing	55
Sending Files to the Printer	56
Print Meter	56

Determining Printer Configuration

The printer uses a configuration report printout for ZPL and EPL status. The ZPL printout provides a more intuitive and functionally descriptive naming conventions than the EPL printout. Operational status (darkness, speed, media type, etc.), installed printer options (network, interface settings, cutter, etc.), and printer description information (serial number, model name, firmware version, etc.), are all included on the status label. See [Test Printing \(Configuration Report\) on page 26](#). See [Appendix: ZPL Configuration on page 103](#) for detail on printer configuration and the ZPL commands that control the printer settings listed on the Printer Configuration Status Label.

To get an EPL style printer configuration status label, send the printer the EPL U command. See the EPL programmer's guide for more information on the various EPL U commands and interpreting the settings displayed on these labels.

Modes of Printing

You can operate this printer in many different modes and media configurations:

- Direct thermal printing (which uses heat sensitive media to print).
- Thermal transfer printing (which uses ribbon to heat transfer print to the media).
- Standard Tear-Off mode allows you to tear off each label (or batch print a strip of labels) after it is printed.
- Label Dispense Mode: If an optional dispenser is installed, the backing material can be peeled away from the label as it is printed. After this label is removed, the next one is printed.
- Media Cutting: If an optional media cutter is installed, the printer can cut the label liner between labels, receipt paper or tag stock.
- Stand-alone: The printer can print without being connected to a computer using the printer's auto running label form feature (programming based) or by using a data input device connected to the printer's serial port. This mode accommodates data input devices, such as scanners, weigh scales, Zebra® ZKDU (Keyboard Display Unit), etc.
- Shared network printing: Printers configured with the Ethernet interface option include an internal print server with ZebraLink™ printer configuration web page and ZebraNet™ Bridge software for managing and monitoring status of Zebra® printers on a network.

Print Media Types



Important • Zebra strongly recommends the use of Zebra-brand supplies for continuous high-quality printing. A wide range of paper, polypropylene, polyester, and vinyl stock has been specifically engineered to enhance the printing capabilities of the printer and to prevent premature printhead wear. To purchase supplies, go to <http://www.zebra.com/howtobuy>.

Your printer can use various types of media:

- Standard media—Most standard (non-continuous) media uses an adhesive backing that sticks individual labels or a continuous length of labels to a liner.
- Continuous roll media—Most continuous roll media is direct thermal media (similar to FAX paper) and is used for receipt or ticket style printing.
- Linerless media—Linerless labels have an adhesive backing, but they are wound onto a core without a liner. The media typically is perforated and may have black marks on the bottom surface of the media to indicate label separations. The top surface of linerless media labels have a special coating that keeps the labels from sticking to each other. The printer must be equipped with a special Linerless option to be able to use linerless media to keep the media from sticking to the printer.
- Tag stock—Tags are usually made from a heavy paper (up to 0.0075in./0.19mm thick). Tag stock does not have adhesive or a liner, and it is typically perforated between tags.

For more information on basic media types, see [Table 1](#).

The printer typically uses roll media, but you can use fan-fold or other continuous media too. Use the correct media for the type of printing you require. When printing without a ribbon, you must use direct thermal media or it will not print. When using ribbon, you must use thermal transfer media or barcodes and other print may become distorted.

Thermal Printing - Handling Cautions



Caution • The printhead becomes hot while printing. To protect from damaging the printhead and risk of personal injury, avoid touching the printhead. Only use the cleaning pen to perform printhead maintenance.

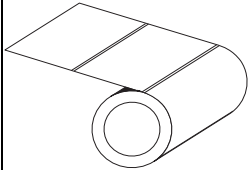
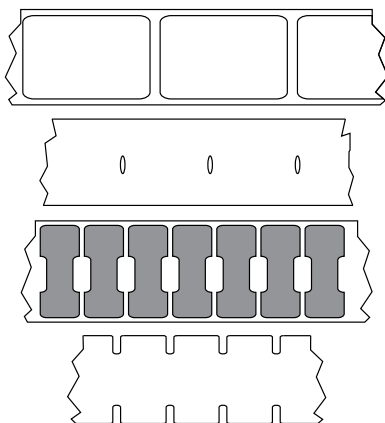
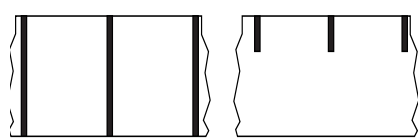
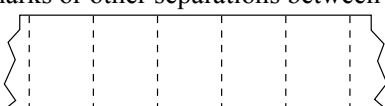
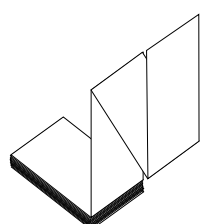
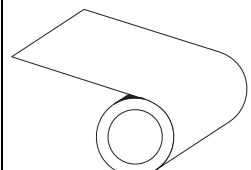


Caution • The discharge of electrostatic energy that accumulates on the surface of the human body or other surfaces can damage or destroy the printhead or electronic components used in this device. You must observe static-safe procedures when working with the printhead or the electronic components under the top cover.

Long Term Printer In-activity or Storage

Overtime the printhead may stick to the platen (drive) roller. To prevent this, always store the printer with a piece of media (a label or paper) between the printhead and platen roller. Do not ship the printer with a roll of media installed or damage may result.

Table 1 • Types of Media Roll and Fanfold Media

Media Type	How It Looks	Description
Non-Continuous Roll Media		<p>Roll media is wound on a core that can be 0.5 to 1.5 in. (12.7 to 38.1 mm) in diameter. Labels have adhesive backing that sticks them to a liner, and they are separated by gaps, holes, notches, or black marks. Tags are separated by perforations. Individual labels are separated by one or more of the following methods:</p> <ul style="list-style-type: none"> <i>Web media</i> separates labels by gaps, holes, or notches.  <i>Black mark media</i> uses pre-printed black marks on the back side of the media to indicate label separations.  <i>Perforated media</i> has perforations that allow the labels or tags to be separated from each other easily. The media may also have black marks or other separations between labels or tags. 
Non-Continuous Fanfold Media		<p>Fan-Fold media is folded in a zigzag pattern. Fanfold media can have the same label separations as non-continuous roll media. The separations would fall on or near the folds.</p>
Continuous Roll Media		<p>Roll media is wound on a core that can be 0.5 to 1.5 in. (12.7 to 38.1 mm) in diameter. Continuous roll media does not have gaps, holes, notches, or black marks to indicate label separations. This allows the image to be printed anywhere on the label. A cutter can be used to cut apart individual labels. With continuous media, use the transmissive (gap) sensor so the printer can detect when the media runs out.</p>

Determining Thermal Media Types

Thermal transfer media requires ribbon for printing while direct thermal media does not. To determine if ribbon must be used with a particular media, perform a media scratch test.

To perform a media scratch test, complete these steps:

1. Scratch the print surface of the media with a finger nail or pen cap. Press firmly and quickly while dragging it across the media surface. Direct thermal media is chemically treated to print (expose) when heat is applied. This test method uses friction heat to expose the media.
2. Did a black mark appear on the media?

If a black mark...	Then the media is...
Does not appear on the media	Thermal transfer. A ribbon is required.
Appears on the media	Direct thermal. No ribbon is required.

Replacing Supplies

If labels or ribbon run out while printing, leave the printer power on while reloading (data loss results if you turn off the printer). After you load a new label or ribbon roll, press the Feed button to restart.

Always use high quality, approved labels, tags and ribbons. If adhesive backed labels are used that don't lay flat on the backing liner, the exposed edges may stick to the label guides and rollers inside the printer, causing the label to peel off from the liner and jam the printer. Permanent damage to the printhead may result if a non-approved ribbon is used as it may be wound incorrectly for the printer or contain chemicals corrosive to the printhead.

Adding a New Transfer Ribbon

If ribbon runs out in the middle of a print job, the indicator lights red and the printer waits for you to add a fresh roll.

1. Keep the power on as you change ribbon.
2. Open the top cover, then cut the used ribbon so you can remove the cores.
3. Load a new ribbon roll and empty ribbon core. If necessary, review the Ribbon Loading steps. *Note: Do Not Use ribbon cores with damaged notch. The notches should have square corners.*
4. Close the top cover.
5. Press the Feed button to restart printing.

Replacing a Partially Used Transfer Ribbon

To remove used transfer ribbon, perform the following steps.

1. Cut the ribbon from the take-up roll.
2. Remove the take-up roll and discard used ribbon.
3. Remove the supply roll and tape the end of any fresh ribbon to prevent it from unwrapping. When reinstalling a partially used supply roll, tape the cut end onto the empty take-up roll.

Adjusting the Print Width

Print width must be set when:

- You are using the printer for the first time.
- There is a change in media width.

Print width may be set by:

- The Windows printer driver or application software such as ZebraDesigner™.
- The five-flash sequence in *Feed Button Modes* on page 92.
- Controlling printer operations with ZPL programming; refer to the Print Width (^PW) command (consult your *ZPL Programming Guide*).
- Controlling printer operations with EPL Page Mode programming, refer to the Set Label Width (q) command (consult your *EPL Programmer's Guide*).

Adjusting the Print Quality

Print quality is influenced by the heat (density) setting of the printhead, the print speed, and the media in use. Experiment with these settings to find the optimal mix for your application. Print quality can be set with the Zebra Setup Utility's 'Configure Print Quality' routine.



Note • Media manufacturers may have specific recommendations for speed settings for your printer and the media. Some media types have lower maximum speeds than your printer's maximum speed.

The relative darkness (or density) setting can be controlled by:

- The six-flash sequence in *Feed Button Modes* on page 92. This will overwrite any ZPL and EPL programmed darkness/density settings.
- The Set Darkness (~SD) ZPL command (consult your *ZPL Programming Guide*).
- The Density (D) EPL command (consult your *EPL Programmer's Guide*).

If you find that the print speed needs to be adjusted, use:

- The Windows printer driver or application software such as ZebraDesigner™.
- The Print Rate (^PR) command (consult your *ZPL Programming Guide*).
- The Speed Select (S) command (consult your *EPL Programmer's Guide*).

Media Sensing

The printer has an automatic media sensing capability. The printer is designed to continuously check and adjust media length sensing for minor variations. Once printing begins, or media is fed, then the printer continually checks and adjusts the media sensing to accommodate for minor changes in media parameters from label to label on a roll and from roll to roll of media. The printer will automatically initiate a media length calibration if the expected media length or the label to label gap distance has exceeded the acceptable variation range when starting a print job or feeding media. The automatic media sensing in the printer works the same for printer operations that use EPL and ZPL label formats and programming.

If the printer does not detect labels or black marks (or notches with blackline sensing) after feeding the media the default maximum label length distance of 39 inches (1 meter), then the printer will switch to continuous (receipt) media mode. The printer will keep these settings until changed by software, programming or a manual calibration with different media.

Optionally, the printer can be set to do a short media calibration after printer power up or when closing the printer with power on. The printer will then feed several labels while calibrating.

The printer's media settings can be verified by printing a Printer Configuration label. See the [Test Printing \(Configuration Report\) on page 26](#) for more details.

The maximum distance that the automatic media type detection and sensing will check can be reduced by using the ZPL Maximum Label Length command (**^ML**). It is recommended that this distance be set to no less than two times the longest label being printed. If the largest label being printed was a 4 by 6 inch label, then the maximum label (media) length detection distance can be reduced from the default distance of 39 inches down to 12 inches.

If the printer has difficulty automatically detecting the media type and auto-calibrating, refer to [Manual Calibration on page 88](#) to perform an extensive calibration. This calibration includes a printed graph of sensor operation for your media. This method disables the printer's automatic media sensing capability until the printer's default parameters are reset to the factory defaults with the four flash Feed button mode. See the [Feed Button Modes on page 92](#) for more details.

The automatic media calibration can be modified, turned on or turned off to meet your needs. Sometimes print job conditions require that the printer use all the media on a roll. The two automatic media conditions, power up with media loaded and closing the printer with power on, can be controlled individually with the ZPL Media Feed command, **^MF**. The feed action discussed in the ZPL programmers guide for the **^MF** command is primarily for automatic media sensing and calibration. The automatic media calibration that controls the dynamic media (label to label) calibration is the **^XS** command. If multiple media types of different lengths, material or detection methods (web/gap, black mark, notches or continuous) are used, you should not change these settings.

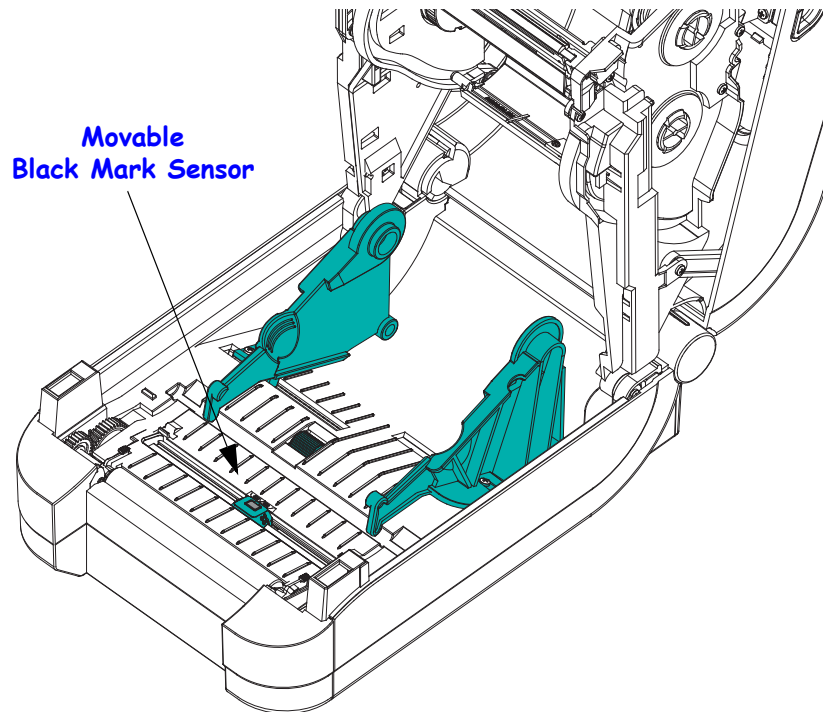
The media calibration and detection process can also be refined to match the media type loaded into the printer. Use the ZPL Media Tracking command (**^MN**) to set the media type. Sometimes the printer can detect preprinted media as the gap between labels or the liner backing with print as a black marks. If the **^MN** parameter for continuous media is set, then the print does not preform the automatic calibration. The **^MN** command also includes an automatic calibration parameter (**^MNA**) to return the printer to its default setting to automatically detect all media types.

Using the Movable Black Mark Sensor

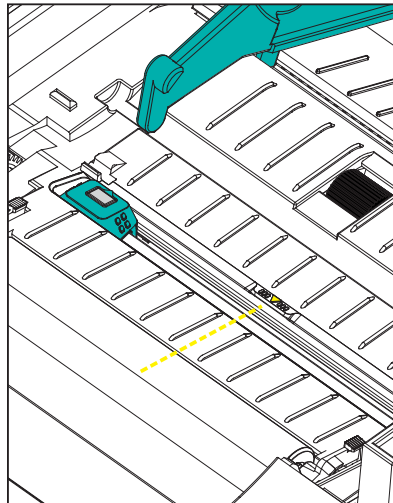
The movable black mark sensor allows the printer to use media with **black marks** or **notches** (holes) on the back side of the media (or media liner) that are not located in the center of the media.

The movable sensor's second functional feature is adjustable transmissive web (gap) sensing to positions that match legacy Zebra® desktop printer sensor locations and in between. This provides for use of some non standard media variations or irregularly shaped media.

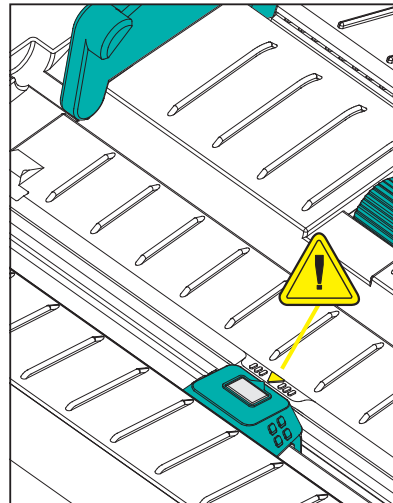
The movable black mark sensor can not properly sense continuous media or labels (for inter-label gap sensing) if the sensor is not in the default sensing area for web (gap) sensing. See [Adjusting the Movable Sensor for Web \(Gap\) Sensing on page 47](#)



An Off Center Alignment
Black Mark Sensing Only



Default - Web (Gap) Sensing
Standard Operating Position



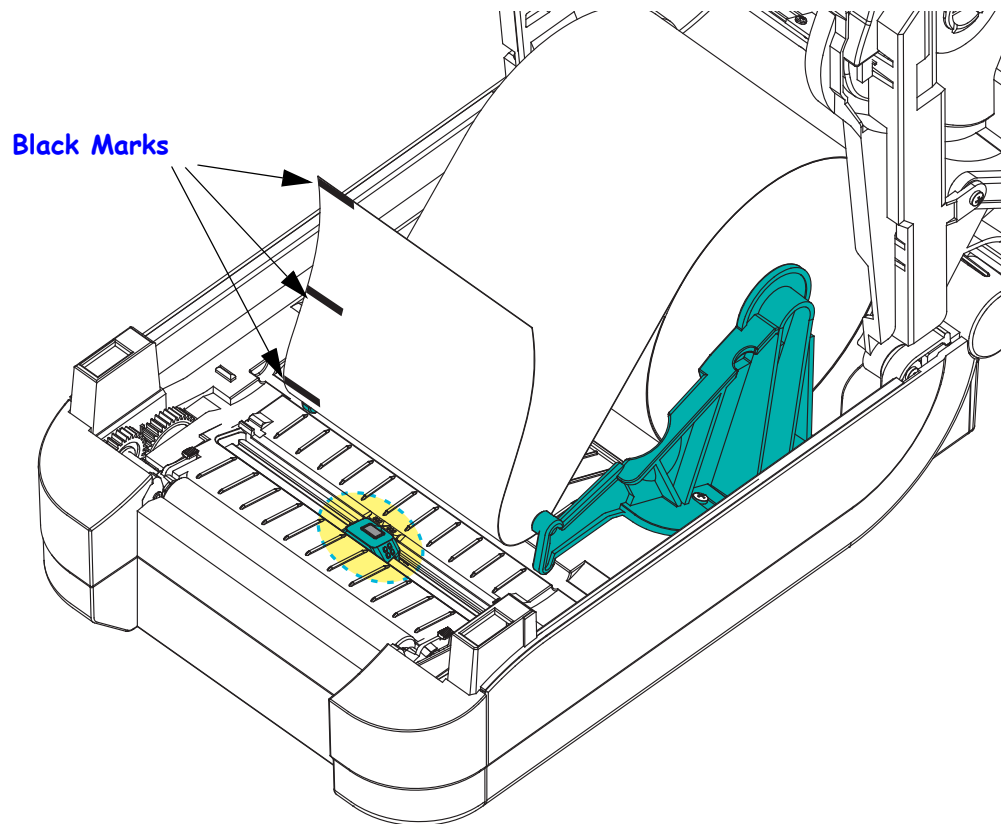
Adjusting the Movable Sensor for Black Marks or Notches

The black mark sensor looks for non-reflective surfaces such as black marks, black lines, notches or holes in the media which do not reflect the sensor's beam back to the sensor's detector. The sensor light and its black mark detector are next to each other under the sensor cover (dark plastic cover is translucent to the sensor's non-visible light).

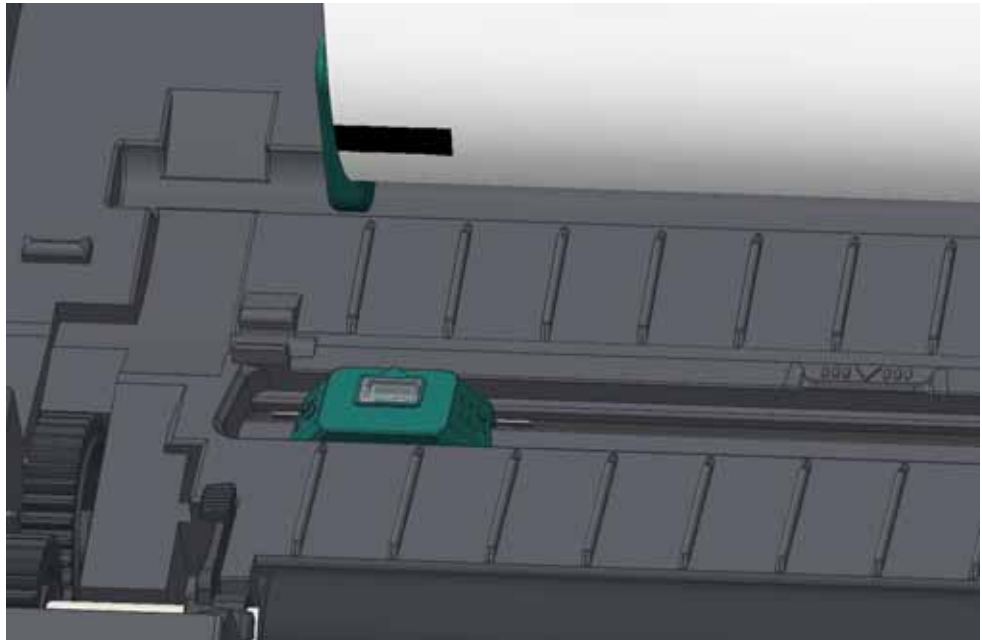
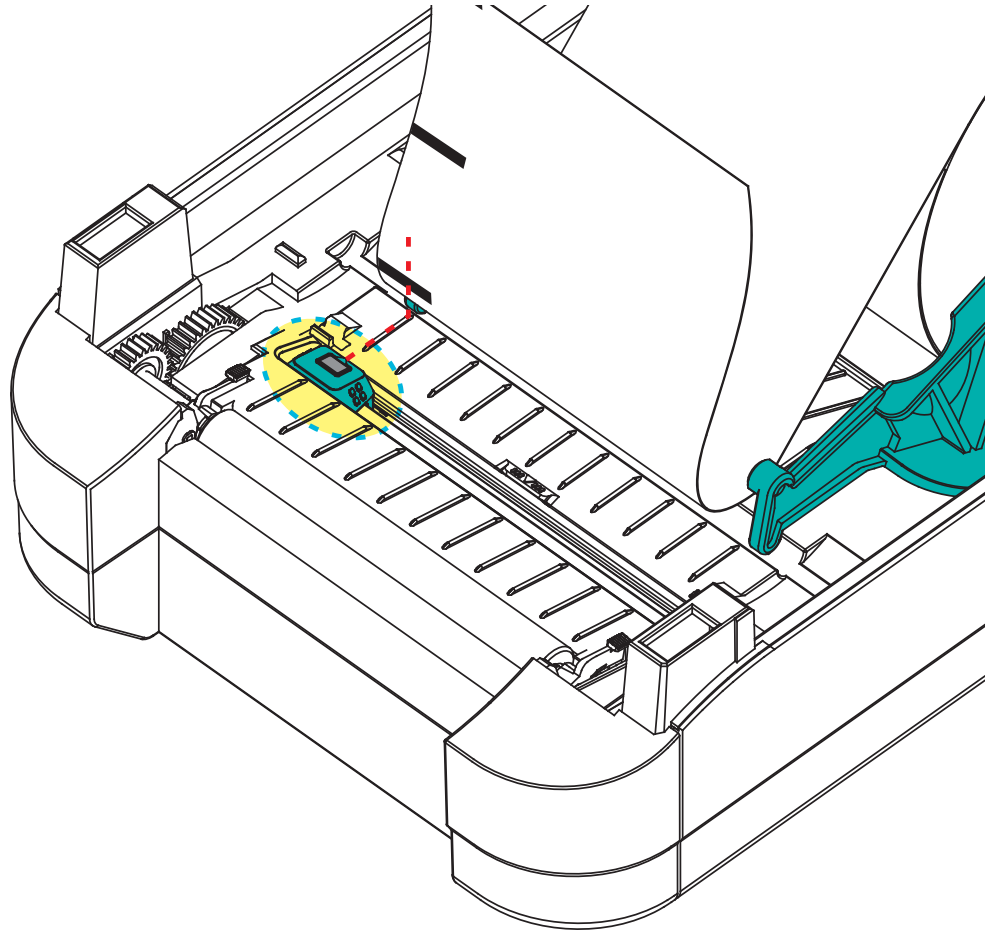
Aligning the movable sensor's alignment arrow to the middle of the black mark or notch in the underside of the media. Sensor alignment should be set as far as possible from the edge of media but where 100% of the sensor window is covered by the mark. When printing, the media can move from side to side $\pm 1\text{mm}$ (due to media variations and edge damage due to handling). Notches cut into the side of the media can also become damaged.

Load the media. Before closing the printer, adjust the movable black mark sensor as follows:

1. Flip the media back over the roll to expose the black marks or notches on the backside (non printing side) of the media.

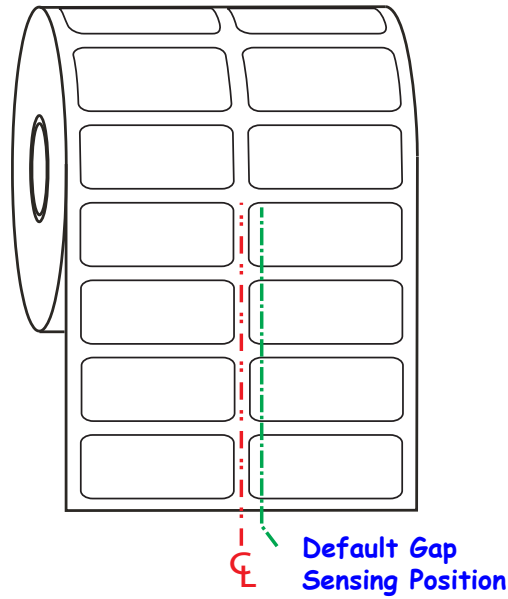


- Slide the movable sensor from the center default position to align with the black marks. The arrow on the movable sensor should line up with the center of the black mark. This is true for marks or notches located on either side of the media (left side shown).



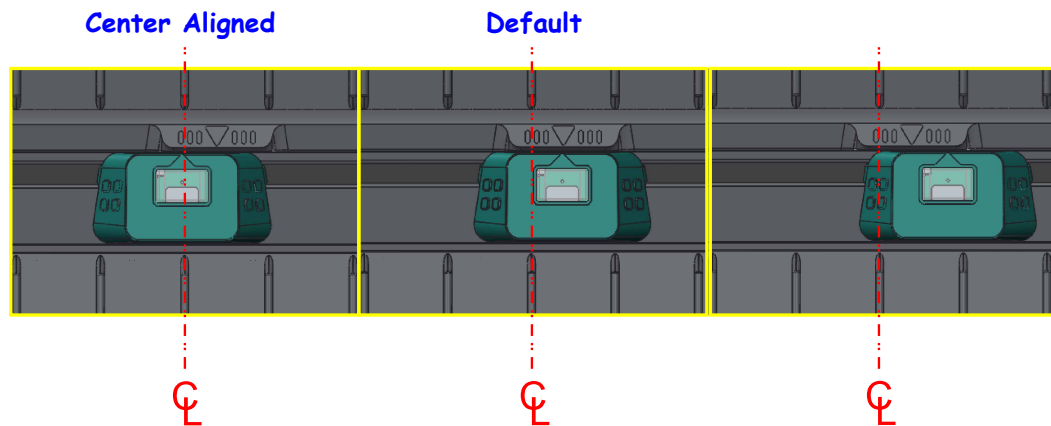
Adjusting the Movable Sensor for Web (Gap) Sensing

The movable sensor supports the web/gap positions used by the legacy Zebra® desktop printer models and for some non standard media configurations. Printer's with typical web (gap) sensing in the fixed center position or the movable sensor's set to the default position are offset from the center of the printer to allow for gap sensing of labels that are side by side on a roll - see below.



Web (Gap) sensing with the movable sensor can only function when the sensor's alignment arrow points to any position on the alignment key. The sensor must be aligned with the labels (or other media) to sense the gap between the labels. The example above shows where the sensor is set if center aligned positioning is used. It will miss sensing labels with a 2-up label configuration and with the sensor in the 'default' position, it will be able to detect labels and the gaps between them.

Adjustment Range - Left to Right



- Default — Zebra Models: G-Series™ fixed position sensors, LP/TLP 2842™, LP/TLP 2844™, LP/TLP 2042™
- Center Aligned — Zebra Model: LP/TLP 2742™

Ribbon Overview

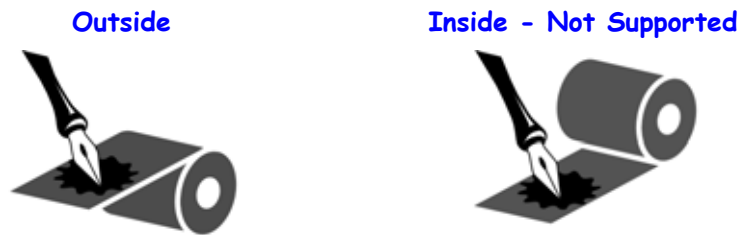
Ribbon is a thin film that is coated on one side with wax, resin, or wax resin; which is transferred to the media during the thermal transfer process. The media determines whether you need to use ribbon and how wide the ribbon must be. When ribbon is used, it must be as wide as or wider than the media being used. If the ribbon is narrower than the media, areas of the printhead are unprotected and subject to premature wear.

When to Use Ribbon

Thermal transfer media requires ribbon for printing while direct thermal media does not. Direct thermal media should never be used with ribbon. Bar codes and graphics can get distorted. To determine if ribbon must be used with a particular media, perform a media scratch test, see [Ribbon Scratch Test on page 49](#).

Coated Side of Ribbon

Ribbon can be wound with the coated side on the inside or outside. This printer can only use ribbon that is coated on the outside. If you are unsure which side of a particular roll of ribbon is coated, perform an adhesive test or a ribbon scratch test to determine which side is coated.



To determine which side of a ribbon is coated, complete these steps:

Ribbon Test with Adhesive

If you have labels available, perform the adhesive test to determine which side of a ribbon is coated. This method works well for ribbon that is already installed.

To perform an adhesive test, complete these steps:

1. Peel a label from its liner.
2. Press a corner of the sticky side of the label to the outer surface of the roll of ribbon.
3. Peel the label off of the ribbon.
4. Observe the results. Did flakes or particles of ink from the ribbon adhere to the label?

If ink from the ribbon...	Then...
Adhered to the label	The ribbon is coated on the outside and can be used with the printer.
Did not adhere to the label	The ribbon is coated on the inside and can not be used in the printer.

Ribbon Scratch Test

Perform the ribbon scratch test when labels are unavailable.

To perform a ribbon scratch test, complete these steps:

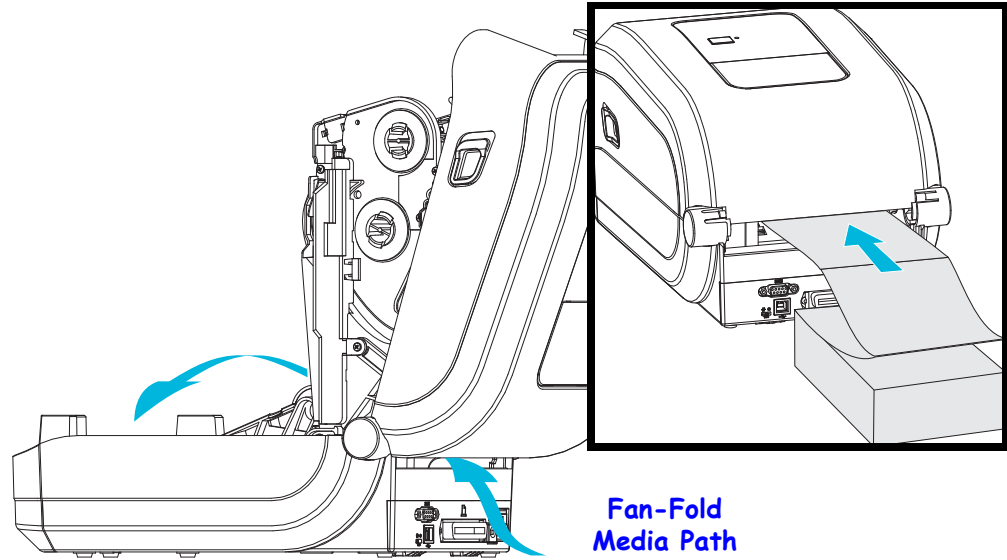
1. Unroll a short length of ribbon.
2. Place the unrolled section of ribbon on a piece of paper with the outer surface of the ribbon in contact with the paper.
3. Scratch the inner surface of the unrolled ribbon with your fingernail.
4. Lift the ribbon from the paper.
5. Observe the results. Did the ribbon leave a mark on the paper?

If the ribbon...	Then...
Left a mark on the paper	The ribbon is coated on the outside and can be used with the printer.
Did not leave a mark on the paper	The ribbon is coated on the inside and can not be used in the printer.

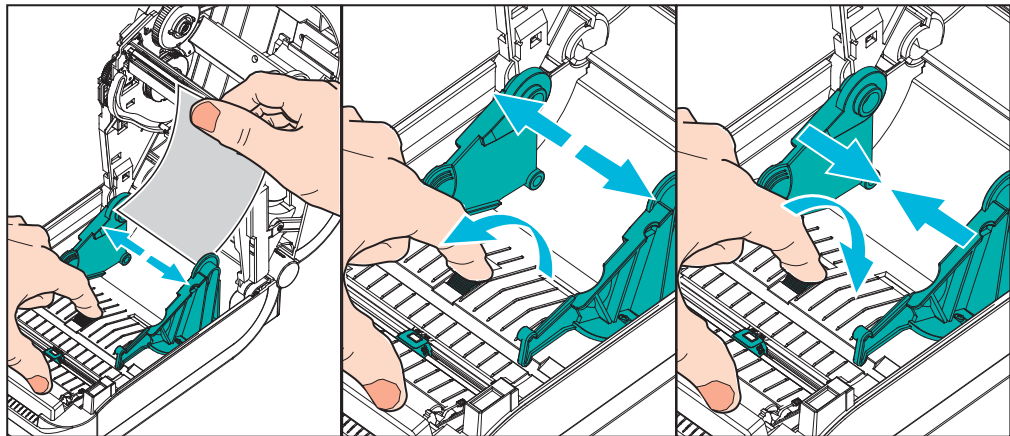
Printing on Fan-Fold Media

Printing on fan-fold media requires you to adjust the media guide's stop position.

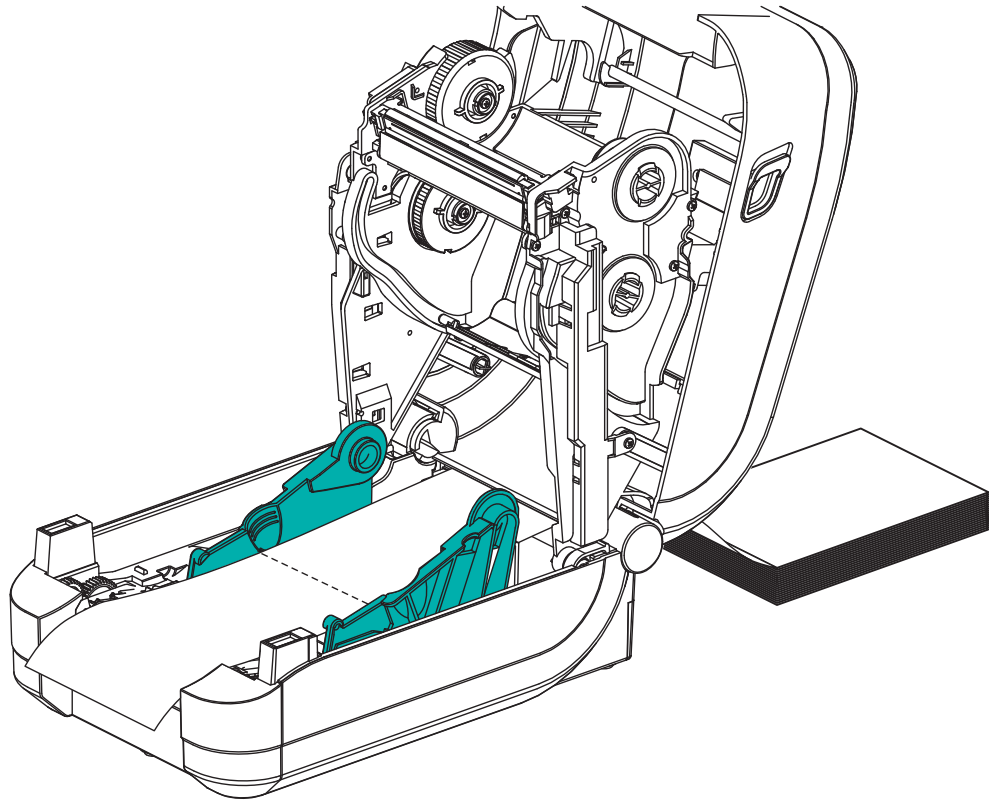
1. Open the top cover.



2. Adjust the media guide stop position with the green thumb wheel. Use a piece of the fanfold media to set the stop position. Rotate the wheel toward you to open the guides wider. Rotate the wheel away from you to make the media guides narrower.



3. Insert the media through the slot at the rear of the printer.



4. Run the media between the media guides and roll holders.
5. Close the top cover.

After printing or feeding several labels: If the media does not track down the center (moves from side to side) or the sides of the media (liner, tag, paper, etc.) are frayed or damaged when exiting the printer, then the media guides or roll holders may need further adjustment.

Printing with Externally Mounted Roll Media

The GT-Series™ printer accommodates externally mounted roll media similar to the printer's support of fan-fold media. The printer requires the media roll and stand combination to have a low initial inertia to pull the media off the roll.

Zebra at this time does not offer an external media option for the GT-Series™ printer.

Externally Mounted Roll Media Considerations:

- The media ideally should enter the printer directly behind the printer through the fan-fold media slot in the rear of the printer. See [Printing on Fan-Fold Media on page 50](#) for media loading.
- Lower the print speed to decrease the chance of motor stalls. Starting the roll moving from a full stop requires the printer to overcome the greatest amount of inertia when moving media. Larger media roll diameters require the printer's drive motor to produce more torque to get the roll moving.
- The media should move smoothly and freely. The media should not slip, skip, jerk, bind and then move, etc. when mounted on your media stand.
- The printer should not touch the media roll.
- The printer should not slip or lift up off the operating surface.

Fonts and Your Printer

The GT-Series™ printer supports your language and font requirements with a variety of internal fonts, on-board font scaling, international font sets and character code page support, Unicode support, and font download.

The GT-Series™ printer's font capabilities are programming language dependent. The EPL™ programming language provides for basic bitmapped fonts and international code pages. The ZPL™ programming language provides advanced font mapping and scaling technology to support outline fonts (TrueType™ or OpenType™) and Unicode character mapping as well as basic bitmapped fonts and character code pages. ZPL and EPL programming guides describe and document the fonts, code pages, character access, listing fonts, and limitations for their respective printer programming languages. See the printer programming guides for information on Text, Fonts and Character support.

The GT-Series™ printer includes utilities and application software that support font download into the printer for both printer programming languages.

The GT-Series™ printer includes resident fonts to support Simplified or Traditional languages.



Important • Some factory installed ZPL fonts in your printer cannot be copied, cloned or restored to your printer by reloading or updating firmware. If these license restricted ZPL fonts are removed by an explicit ZPL object delete command, they must be repurchased and reinstalled via a font activation and installation utility. EPL fonts do not have this restriction.

Localizing the Printer with Code Pages

The GT-Series™ printer has support two primary printer programming languages: ZPL and EPL. Each programming language has a set of fonts to support region, locale (language) and character sets. The printer supports localization with common international character map code pages and some configuration status printout

- For ZPL code page support, including Unicode, see the **^CI** command in the ZPL programmer's guide.
- For ZPL configuration status printout language see the **^KL** command in the ZPL programmer's guide. At time of release, the GT800 GT-Series™ printer does not Chinese languages with this command.
- For EPL code page support, see the **I** command in the EPL programmer's guide.

Identifying Fonts in Your Printer

Fonts and memory are shared by the programming languages in the printer. Fonts can be loaded in many memory areas in the GT-Series™ printer. ZPL programming can recognize EPL and ZPL fonts. EPL programming can only recognize EPL fonts. See the respective programmer guides for more information on fonts and printer memory.

ZPL Fonts:

- To manage and download fonts for ZPL print operation, use the Zebra Setup utility or ZebraNet™ Bridge.
- To display all of the fonts loaded in your printer, send the printer the ZPL **^WD** command. See the *ZPL Programmers Guide* for details.
 - Bitmap fonts in the various printer memory areas are identified by the **.FNT** file extension in ZPL.
 - Scalable fonts are identified with the **.TTF**, **.TTE** or **.OTF** file extensions in ZPL. EPL does not support these fonts.

EPL Fonts:

- To download fonts for EPL print operations, use the Zebra Setup Utility or ZebraNet™ Bridge to send files to the printer.
- To display Soft Fonts (ext.) available to EPL, send the printer the EPL command **EI**.
 - All EPL fonts displayed are bitmap fonts. They do not include the **.FNT** file extension or the horizontal (**H**) or vertical (**V**) designators that are displayed with the ZPL command **^WD** as described above in ZPL Fonts.
- To remove non Asian EPL fonts with EPL programming, use the **EK** command.
- To remove EPL Asian fonts from the printer, use the ZPL **^ID** command.

Stand Alone Printing

Your printer can be configured to work without being attached to a computer. The printer has the ability to automatically run a single label form. One or more downloaded label forms can be accessed and run with a terminal or wedge device or a Zebra® KDU (keyboard display unit) to call a label form. These methods allow the developer to incorporate data input devices, such as scanners or weight scales, to the printer via the serial port.

Label formats can be developed and stored in the printer to support labels that have:

- No data entry required and print when the Feed button is pressed.
- No data entry required and print when a label is removed from the printer's optional label dispenser.
- One or more data variables to be entered via the terminal or wedge device. The label will print after the last variable data field has been input.
- One or more label formats that are called by scanning bar codes containing programming to run a label form.
- Label forms designed to work as a process chain with each label including a bar code containing the programming to run the next label in the process sequence.

Both printer programming languages support special label forms that will automatically run after a power cycle or reset. The ZPL looks for a file named **AUTOEXEC.ZPL** and EPL looks for a label form named **AUTOFR**. If both files are loaded in the printer, then only the **AUTOEXEC.ZPL** will run. The EPL **AUTOFR** form runs until it is disabled. Both files must be deleted from the printer followed by a reset or a power cycle to completely remove the files.



Note • The GT-Series™ EPL **AUTOFR** command can only be disabled with **NULL** character (00 hex or ASCII 0). The printer will ignore the other character that normally disables the **AUTOFR** form operation in most other EPL printers, the **XOFF** character (13 hex or ASCII 19).

The printer can source up to 750mA through a 5 volt line shared between the parallel and serial ports. See Appendix A for more information on the printer's serial port interface.

Sending Files to the Printer

Graphics, fonts and programming files can be sent to the printer from the Microsoft Windows operating systems by using the Zebra Setup Utilities (and driver), ZebraNet™ Bridge or Zebra® ZDownloader found on the user's CD or at www.zebra.com. These methods are common for both programming languages and the GT-Series™ printers.

Print Meter

The GT-Series™ printer has the capability to report printhead maintenance alerts. The printer can provide cleaning and early warning of end of calculated printhead life alerts. If the RTC (Real Time Clock) is installed in the printer, the printhead life and history reporting will also include the date. By default, print metering alerts are disabled.

Many of the print meter messages and reports are customize able. See the *ZPL or EPL Programming Guides* for more information on the Print Meter.

To active the Print Meter Alerts, send one of the following commands to the printer:

- EPL command `oLY`
- ZPL command `^JH,,,,,E`

Printer Options

This section covers the common printer options and accessories with brief descriptions and how to get you started using or configuring your printer option or accessory.

Contents

Label Dispenser Option	58
Cutter Option	61
ZebraNet® 10/100 Internal (Wired) Print Server Option	64
Zebra® ZKDU — Printer Accessory	66
ZBI 2.0™ — Zebra Basic Interpreter	66

Label Dispenser Option

The factory installed label dispenser option allows you to print a label with backing (liner/web) being removed from the label as it prints, ready for application. When printing multiple labels, removing the dispensed (peeled) label notifies the printer to print and dispense the next label.

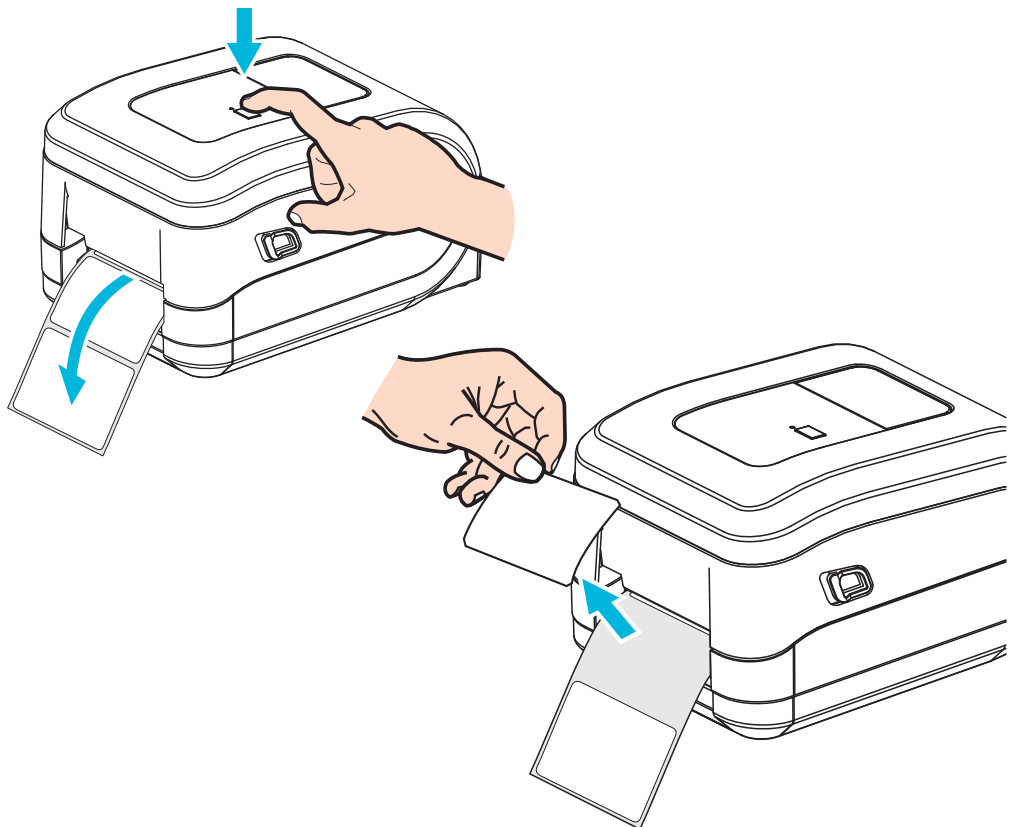
To use dispenser-mode correctly, use your printer driver to activate the label (taken) sensor along with these typical label settings which include but are not limited to length, non-continuous (gap), and web (liner). Otherwise, you must send the ZPL or EPL programming commands to the printer.

When programming in ZPL, you can use the following command sequences shown below and refer to your *ZPL Programming Guide* for more information on ZPL programming.

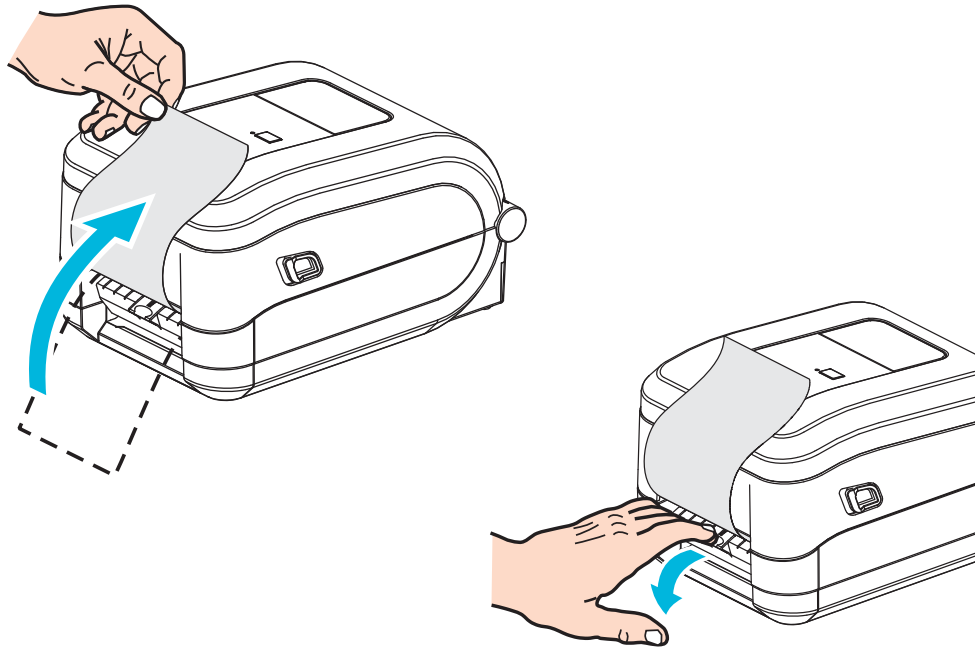
```
^XA ^MMP ^XZ  
^XA ^JUS ^XZ
```

When programming in EPL, send the Options (O) command with the 'P' command parameter (OP) to enable the Label Taken sensor. Other printer option parameters may also be included with the Options command string. Refer to your *EPL Programmer's Guide* for more information on programming with EPL and the Options (O) command behaviors.

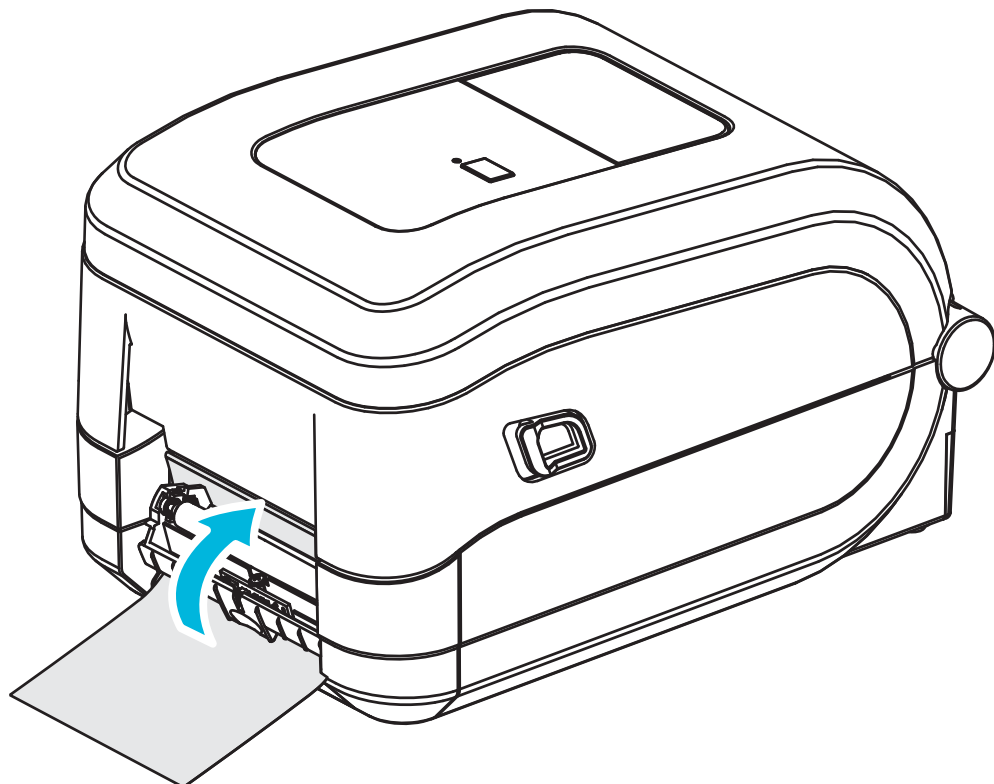
1. Load your labels into the printer. Close the printer and press the Feed button until a minimum of 4 inches or 100 millimeters of exposed labels exit the printer. Remove the exposed labels from the liner.



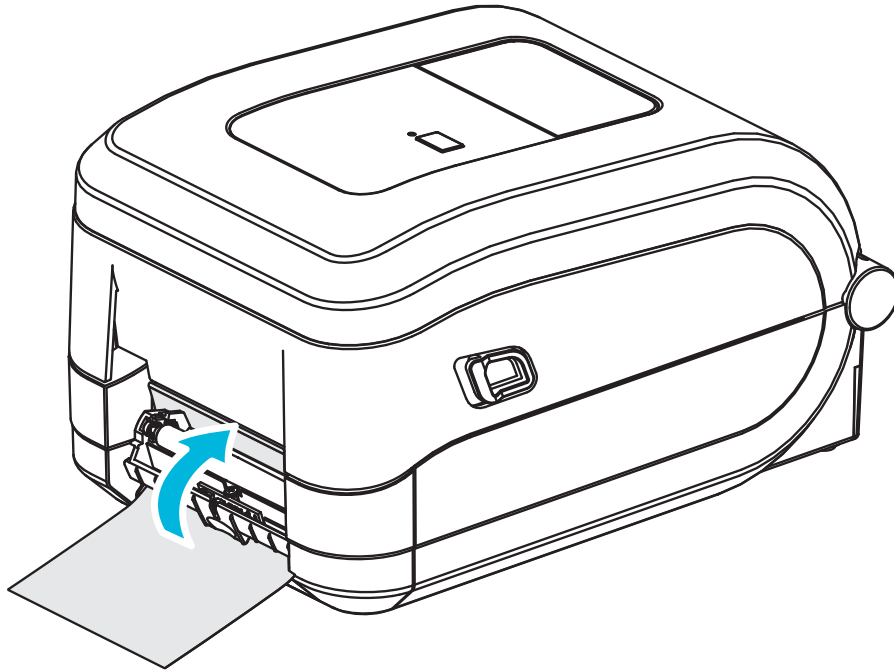
2. Lift the liner over the top of the printer and open the dispenser door.



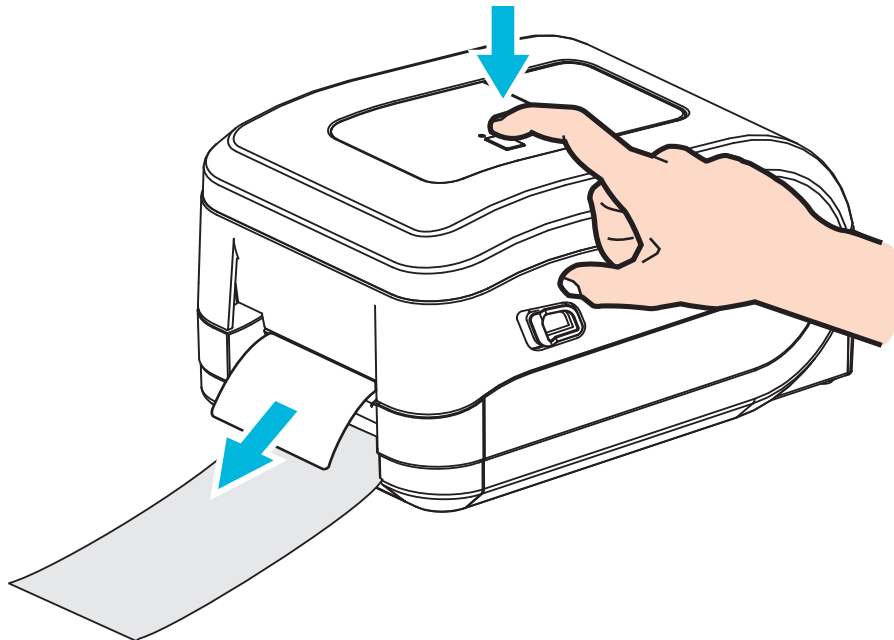
3. Insert the label liner between the dispenser door and the printer body.



4. Close the dispenser door.



5. Press the Feed button to advance the media.



6. During the print job, the printer will peel off the backing and present a single label. Take the label from the printer to allow the printer to print the next label. Note: If you did not activate the label taken sensor to detect the removal of the dispensed (peeled) label with software commands, the printer will stack and eject peeled labels.

Cutter Option

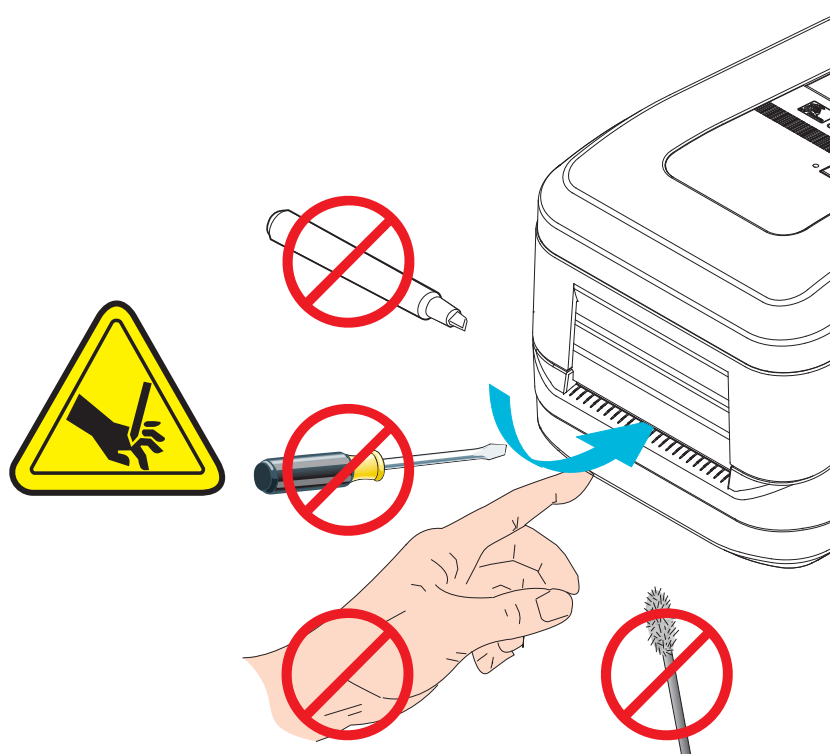
The printer supports a factory installed media cutter option for full width cutting of label liner, tag or receipt media. These cutter options are all supported in a single cutter housing design. The type of cutter option installed in your printer can be verified by printing a *printer configuration report*. The cutter options are:

- **A medium duty cutter** for cutting label liner and light tag media (LINER/TAG)
Maximum Paper Weight (thickness): up to 180 g/m² (0.0077 in.)
Life*: 2 million cuts: 0.5 mil to 5 mil stock (10-120 g/m²)
 1 million cuts: 5 mil to 7.5 mil stock (120-180 g/m²)
 750,000 cuts: 7.5 mil to 10 mil (180-200 g/m²)
 - * - *Exceeding the maximum media weight (density/hardness) and thickness will shorten the cutters usable life or can cause the cutter to fail (jam or other error).*
- **Cut Width:** 4.25 inches (108 mm) maximum to 0.75 inches (19 mm) minimum
- **Minimum distance between cuts (label length):** 1 inch (25.4 mm). Cutting shorter media lengths between the cuts may cause the cutter to jam or error.
- By default, the cutter operations include a self cleaning preventive maintenance cleaning cut after every twenty-fifth cut. This feature can be disabled via ZPL or SGD (Set/Get/DO) programming command (`cutter.clean_cutter`) but is not recommended.



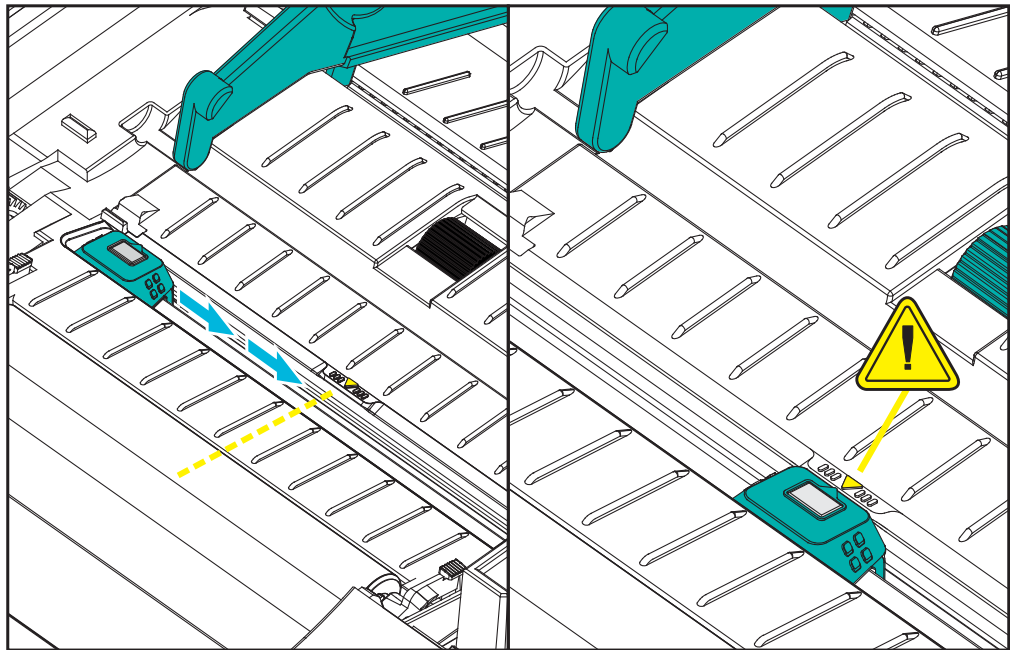
Warning • There are no operator serviceable parts in the cutter unit. Never remove the cutter cover (bezel). Never attempt to insert objects or fingers in to the cutter mechanism.

Important • Tools, cotton swabs, solvents (including alcohol), etc. all may damage or shorten the cutter's usable life or cause the cutter to jam.

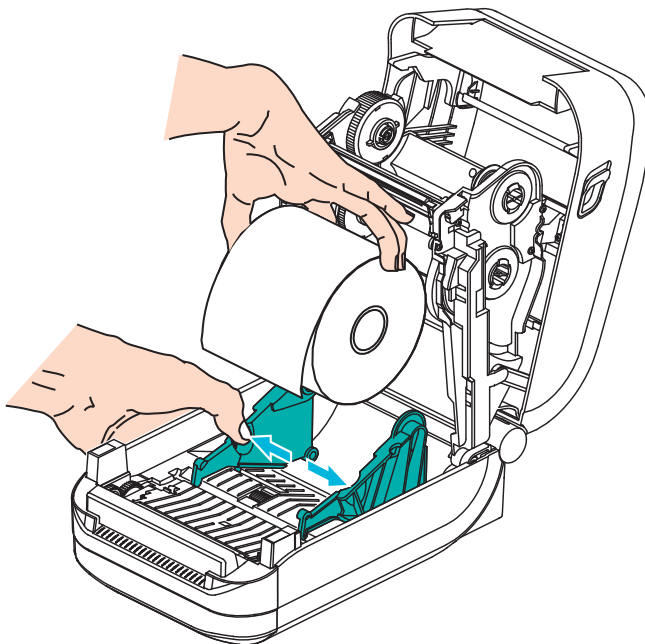


Loading Media with the Cutter Option

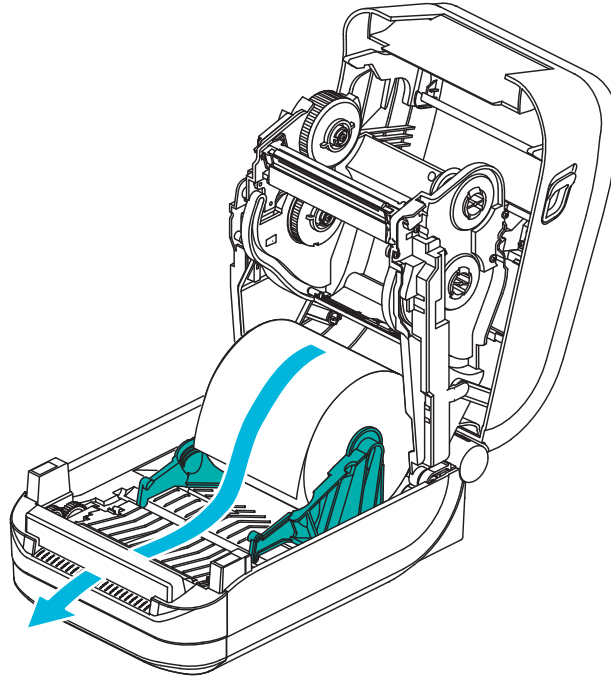
1. Open the printer. Remember that you need to pull the release latch levers toward the front of the printer.
2. Adjust the media sensor's position for labels or continuous media to the center position. If the media has black marks (not full width black lines) or notches, then see [Using the Movable Black Mark Sensor on page 44](#)



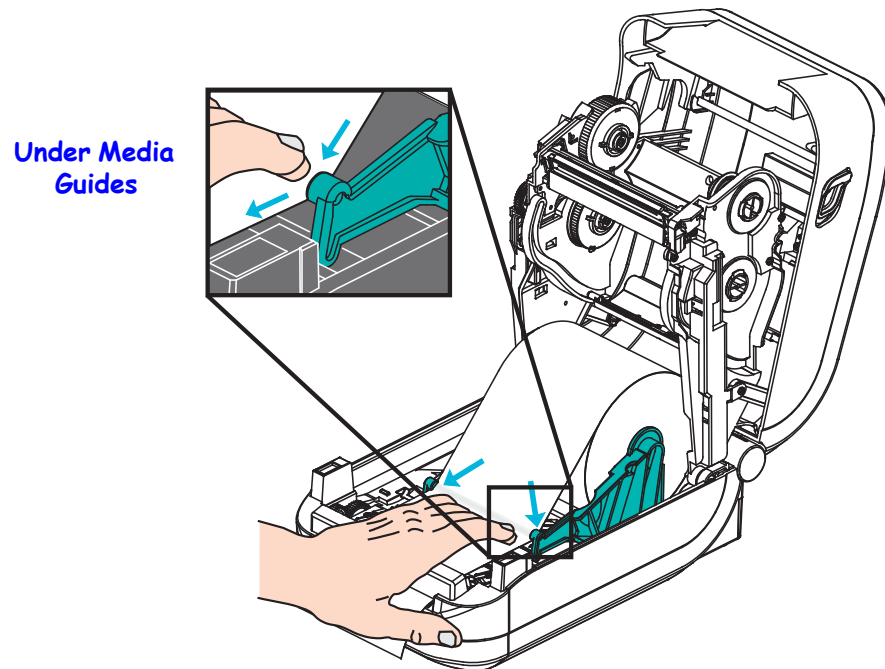
3. Open the media roll holders. Pull the media guides open with your free hand and place the media roll on the roll holders and release the guides. Orient the media roll so that its printing surface will be up as it passes over the platen (drive) roller.



4. Thread the media through the cutter's inside slot so that it extends out of the front of the printer. Verify the roll turns freely. The roll must not sit in the bottom of the media compartment. Verify that media's printing surface is facing up.



5. Push the media under both of the media guides.



6. Close the printer. Press down until the cover snaps closed.

ZebraNet® 10/100 Internal (Wired) Print Server Option

The ZebraNet® 10/100 Internal Print Server (PS) is an optional factory installed device that connects the network and your ZebraLink™-enabled printer. The print server provides you with a browser interface for printer and print server settings. If you use the ZebraNet™ Bridge Zebra network printer management software, you can easily access the specialized features of a ZebraLink™ enabled printer.

Printers with the 10/100 Internal PS provide the following features:

- Print server and printer setup using a browser
- Remote monitoring and configuration capability of the 10/100 Internal PS using a browser
- Alerts
- The ability for you to send unsolicited printer status messages via E-mail-enabled devices

ZebraNet™ Bridge — ZebraNet™ Bridge is a software program that works with the 10/100 Internal PS and enhances the features of ZebraLink resident within ZPL-based printers. The features include the following:

- ZebraNet™ Bridge allows you to locate printers automatically. ZebraNet™ Bridge searches on parameters such as IP address, subnet, printer model, printer status, and many other user-defined characteristics.
- Remote Configuration — Manage all your Zebra label printers throughout the enterprise without having to travel to remote sites or physically handle any printers. Any Zebra printer connected to the enterprise network can be accessed from the ZebraNet™ Bridge interface and configured remotely through an easy-to-use graphical user interface.
- Printer Alerts, Status, Heartbeat Monitoring and event Notification — ZebraNet™ Bridge lets you configure multiple event alerts per device with different alerts directed to different people. Receive alerts and notifications by e-mail, cell phone/pager, or through the ZebraNet™ Bridge Events tab. View alerts by printer or group, and filter by date/time, severity, or trigger.
- Configure and Copy Printer Profiles — Copy and paste settings from one printer to another or broadcast them to an entire group. ZebraNet™ Bridge allows you to copy printer settings, printer-resident files (formats, fonts, and graphics), and alerts with a click of the mouse. Create printer profiles — virtual “golden printers” — with desired settings, objects, and alerts, and clone or broadcast them as if they were real printers, providing extensive savings in setup time. Printer profiles are also an excellent way to back up a printer’s configuration for crisis recovery.

Printer Network Configuration Status Label

GT-Series™ printers with the ZebraNet® 10/100 Internal Print Server option on-board print an additional printer configuration status label for information needed to establish and trouble shoot network printing. The following printout is printed with the ZPL ~WL command.

Network Configuration	
Zebra Technologies	
ZTC GT800 (ZPL)	
ZBR3806111	
Internal Wired*	
ALL.....	IP PROTOCOL
000.000.000.000.....	IP ADDRESS
255.255.255.000.....	SUBNET MASK
000.000.000.000.....	DEFAULT GATEWAY
172.029.001.003.....	WINS SERVER IP
YES.....	TIMEOUT CHECKING
300.....	TIMEOUT VALUE
000.....	ARP INTERVAL
9100.....	BASE RAW PORT
00074d3a139f.....	MAC ADDRESS
FIRMWARE IN THIS PRINTER IS COPYRIGHTED	

The regular printout of the configuration status label has some of the printer's network settings such as IP Address, on the lower half of the printout.

The printer's IP address is needed to identify and configure the printer for operations on your network. See the ZebraNet® 10/100 Internal Print Server manual for more information.

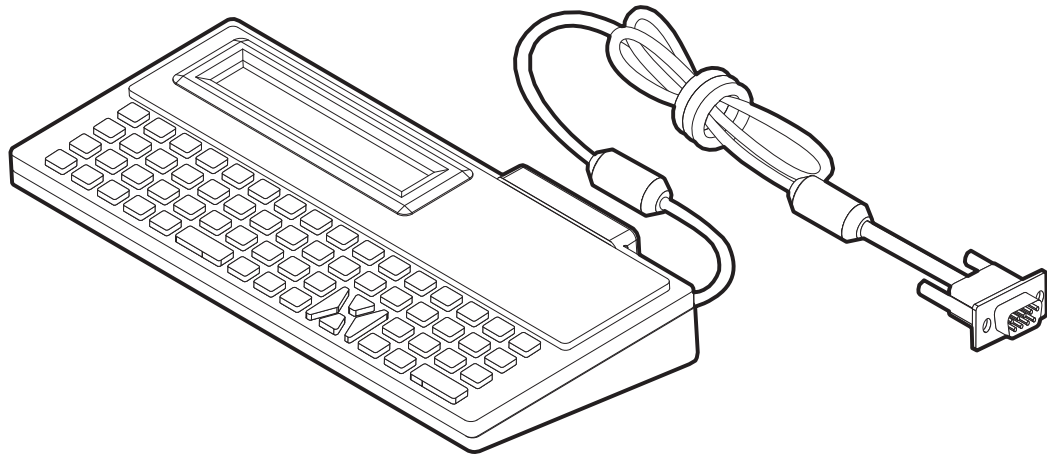
Zebra® ZKDU — Printer Accessory

The Zebra® ZKDU (keyboard display unit) is a small terminal unit that interfaces with the printer for accessing EP or ZPL label forms stored in the printer.

The ZKDU is strictly a terminal and does not have the capability to store data or set up parameters.

The ZKDU is used for the following functions:

- List label forms stored in printer
- Retrieve label forms stored in printer
- Input variable data
- Printing labels
- Switching between EPL and ZPL to dual support both printer language format/form types that can be stored and printed in many later model Zebra label printers



ZBI 2.0™ — Zebra Basic Interpreter

Customize and enhance your printer with ZBI 2.0™ optional programming language. ZBI 2.0 allows Zebra printers to run applications and take input from scales, scanners and other peripherals—all without a PC or network connection. ZBI 2.0 works with the ZPL printer command language so that printers can understand non-ZPL data streams and convert them into labels. That means the Zebra printer can create bar codes and text from input received, non-ZPL label formats, sensors, keyboards and peripherals. Printers can also be programmed to interact with PC based database applications to retrieve information to be used on printed labels.

ZBI 2.0 can be activated by ordering a ZBI 2.0 Key Kit, or activated by purchasing a key from the ZBI 2.0 store at www.zebrasoftware.com.

Use the ZDownloader utility to apply the key. ZDownloader is available on the users CD or at the Zebra Web site: www.zebra.com.

An intuitive ZBI-Developer™ programming utility is used to create, test and distribute ZBI 2.0 applications is available on the users CD or at the Zebra Web site: www.zebra.com.

Maintenance

This section provides routine cleaning and maintenance procedures.

Contents

Cleaning	68
Cleaning the Printhead	69
Media Path Considerations	70
Platen Cleaning and Replacement	72
Other Printer Maintenance	74
Replacing the Printhead	75

Cleaning

When you clean the printer, use one of the following supplies that best suits your needs:

Cleaning Supplies	Order Quantity	Intended Purpose
Cleaning pens (105950-035)	Set of 12	Clean printhead
Cleaning swabs (105909-057)	Set of 25	Clean media path, guides and sensors

You can obtain cleaning supplies at www.zipzebra.com.

The cleaning process takes just a couple of minutes using the steps outlined below.

Printer Part	Method	Interval
Printhead	Let the printhead to cool for a minute, then use a new cleaning pen to swab the dark line on the printhead cleaning from the center to the outside edges of the printhead. See <i>Cleaning the Printhead on page 69</i>	When using ribbon: after every roll of ribbon; when using direct thermal: after every roll of media.
Platen roller	Remove the platen roller to clean. Clean the roller thoroughly with 90% medical-grade alcohol and a cleaning swab or lint-free cloth. See <i>Platen Cleaning and Replacement on page 72</i>	As needed.
Peel bar	Clean it thoroughly with 90% medical-grade alcohol and a fiber-free cleaning swab. Let alcohol dissipate and the printer dry completely.	
Media path		
Exterior	Water-dampened cloth.	
Interior	Gently brush out printer.	N/A
Cutter	Not user maintenance or service	



Caution • Adhesives and media material can over time transfer onto the printer components along the media path including the platen and printhead. This build-up can accumulate dust and debris. Failure to clean the printhead, media path and platen roller could result in inadvertent loss of labels, label jams and possible damage to the printer.



Important • Using too much alcohol can result in contamination of the electronic components requiring a much longer drying time before the printer will function properly.

Cleaning the Printhead

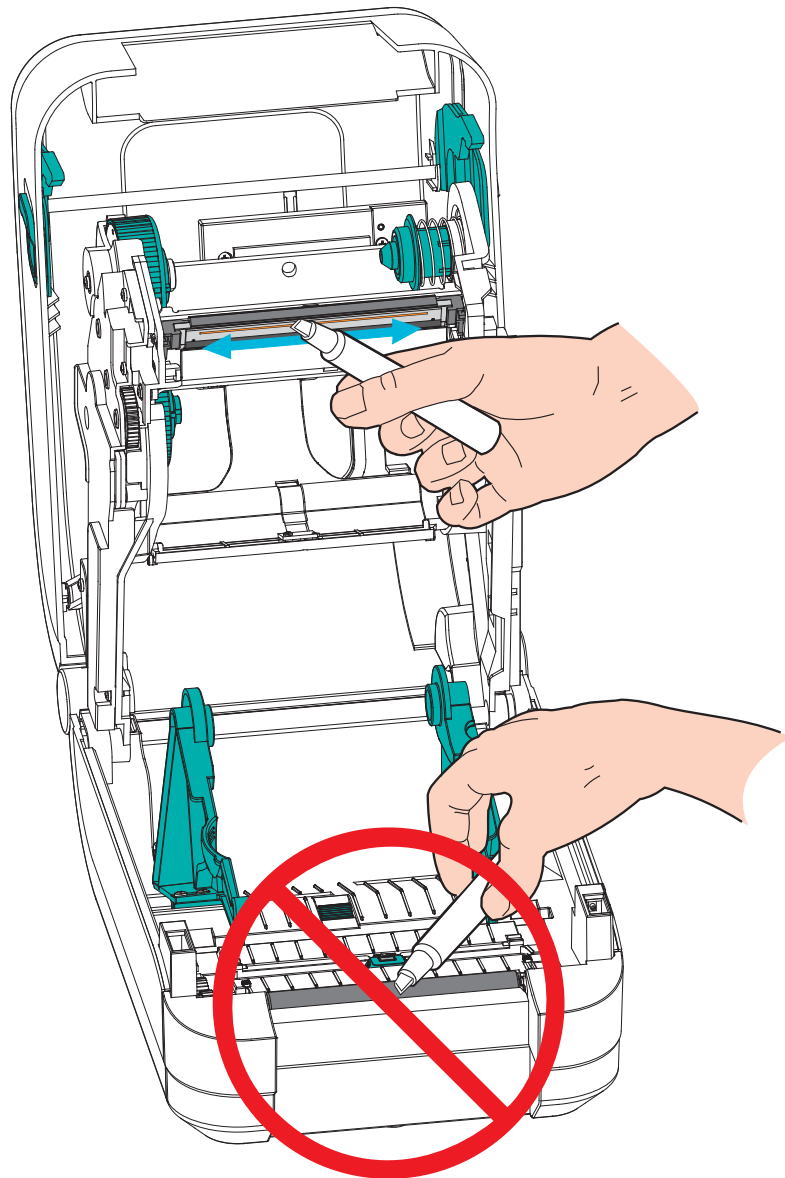
Always use a new cleaning pen on the printhead (an old pen carries contaminants from its previous uses that may damage the printhead).



Caution • The printhead becomes hot while printing. To protect from damaging the printhead and risk of personal injury, avoid touching the printhead. Use only the cleaning pen to perform maintenance.

When you load new media, you can also clean the printhead.

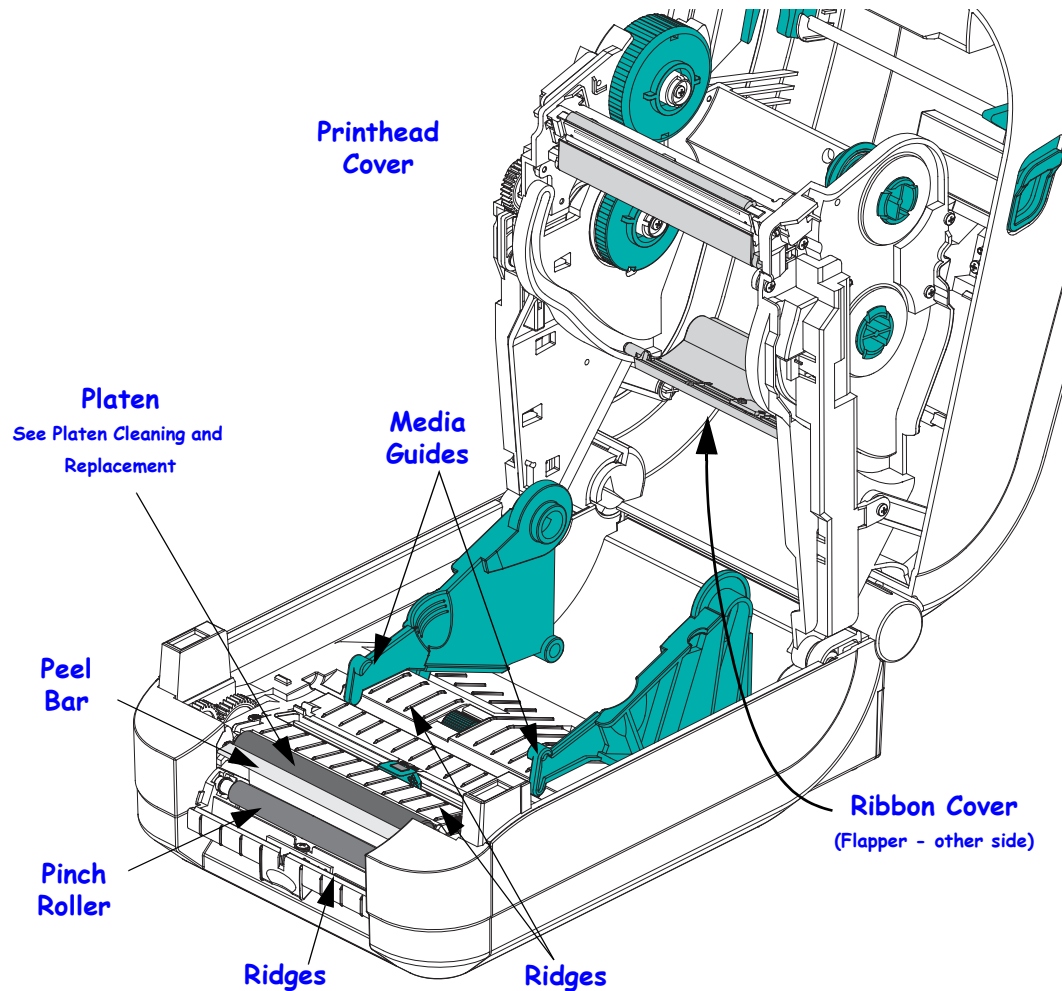
1. Rub the cleaning pen across the dark area of the printhead. Clean from the middle to the outside. This will move adhesive transferred from the edges of media to the printhead outside of media path.
2. Wait one minute before closing the printer.



Media Path Considerations

Use a cleaning swab to remove debris, dust or crust that has built-up on the holders, guides and media path surfaces. Use the alcohol in the cleaning swab to soak the debris to break up the adhesive.

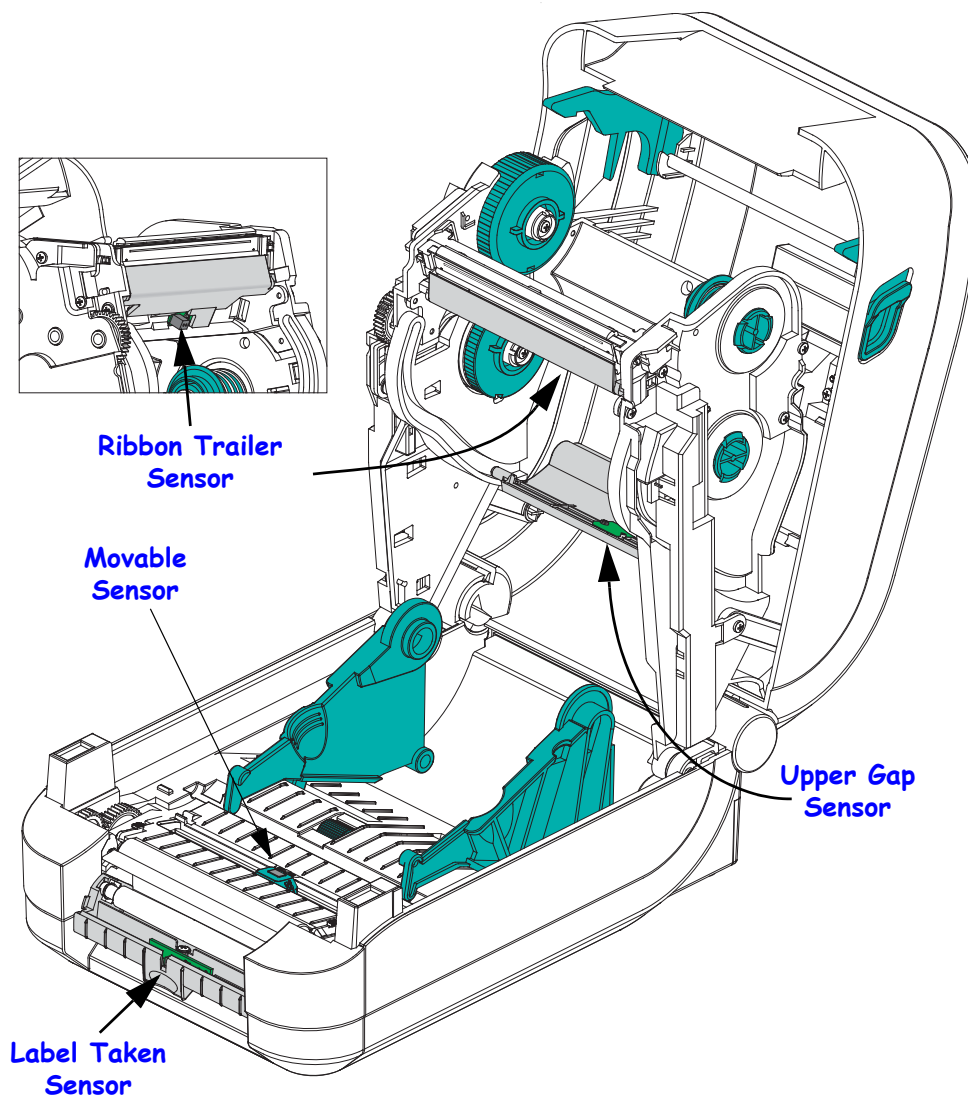
1. Use a cleaning swab to wipe the channel that the movable media sensor slides within.
2. Wipe the ridges and inside of the printer to remove accumulated debris and dust.
3. Wipe the inside edges of both media guides (and media holders) to remove any built-up residue.
4. Wipe the front edge (black plastic) of the printhead and the printhead cover. Do not touch or clean the printhead as part of cleaning the media path!
5. Clean behind the ribbon cover (flapper). The cover swings down to operate and in this position the top side of media can contact this surface. Adhesive from the edges of label media can slowly transfer and build up on this inside surface.
6. Clean the dispenser (if installed) pinch roller and peel bar.
7. Wait one minute before closing the printer. Discard the cleaning swab after use.



Sensor Cleaning

Dust can accumulate on the media sensors.

1. Gently brush or blow dust away with a can of compressed air. Do not use an air compressor - oil (from the pump) and dirty water will contaminate the printer and printhead. If necessary, use a dry swab to brush away dust. If adhesives or other contaminants remain, use an alcohol moistened swab to break it up.
2. Use a dry swab to remove any residue that may be left from the first cleaning.
3. Repeat steps 1 and 2 as required until all residue and streaks are removed from the sensors.



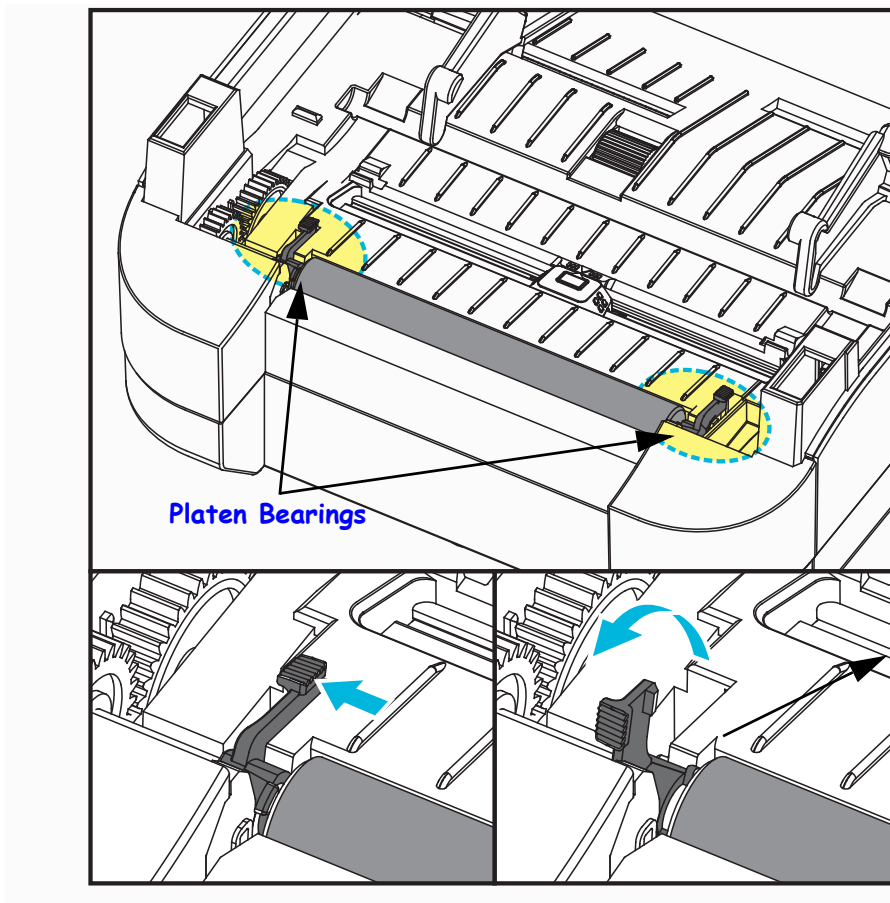
Platen Cleaning and Replacement

The standard platen (drive roller) normally does not require cleaning. Paper and liner dust can accumulate without effecting print operations. Contaminates on the platen roller can damage the printhead or cause the media to slip or stick when printing. Adhesive, dirt, general dust, oils and other contaminants should be cleaned immediately off the platen.

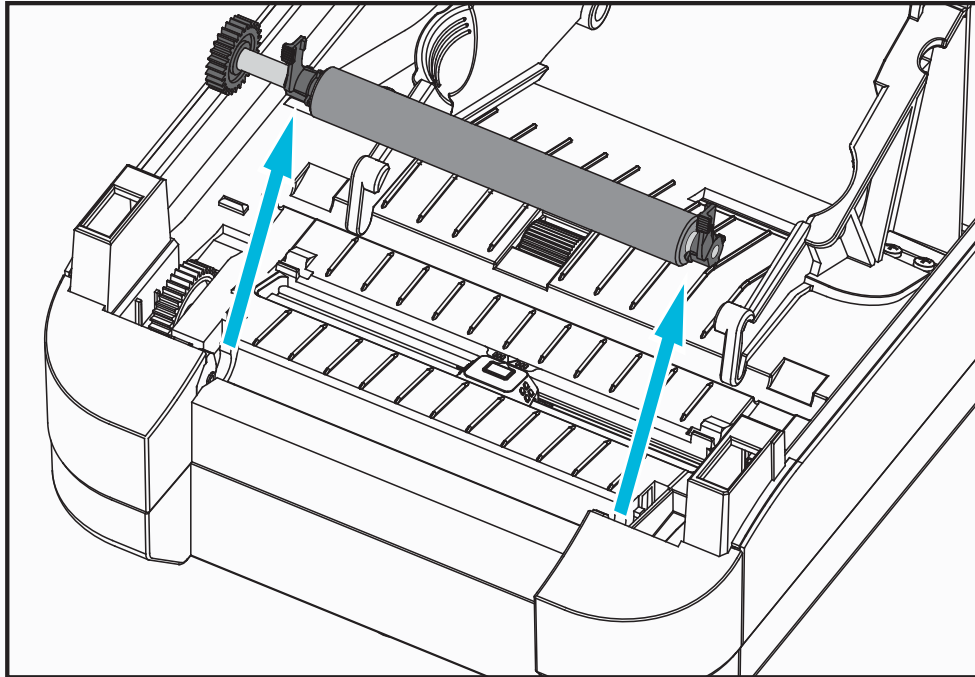
Clean the platen (and media path) whenever the printer has significantly poorer performance, print quality or media handling. The platen is the print surface and drive roller for your media. If sticking or jamming continues even after cleaning, you must replace the platen.

The platen can be cleaned with a fiber-free swab (such as a Texpad swab) or a lint free, clean, damp cloth very lightly moistened with medical grade alcohol (90% pure or better).

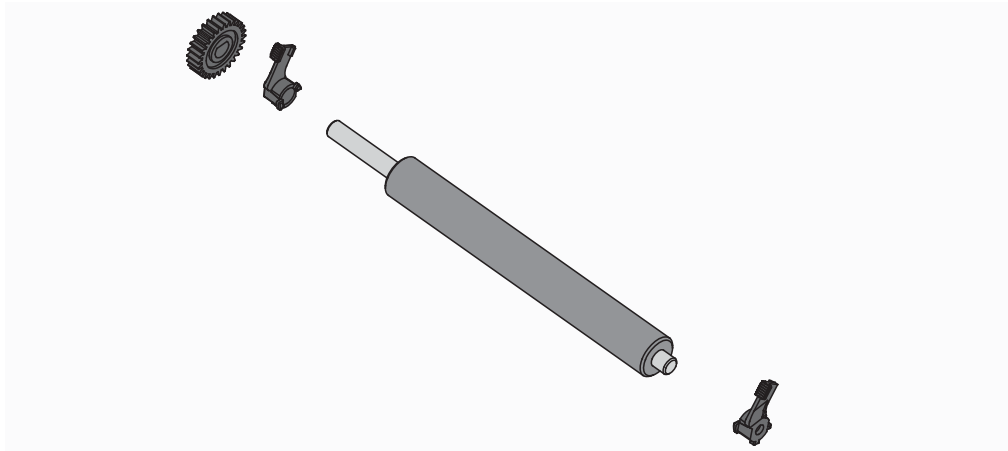
1. Open the cover (and dispenser door). Remove media from platen area.
2. Pull the platen bearing latch release tabs to the outside of the printer. Lift and rotate the arm up and then towards the front of the printer.



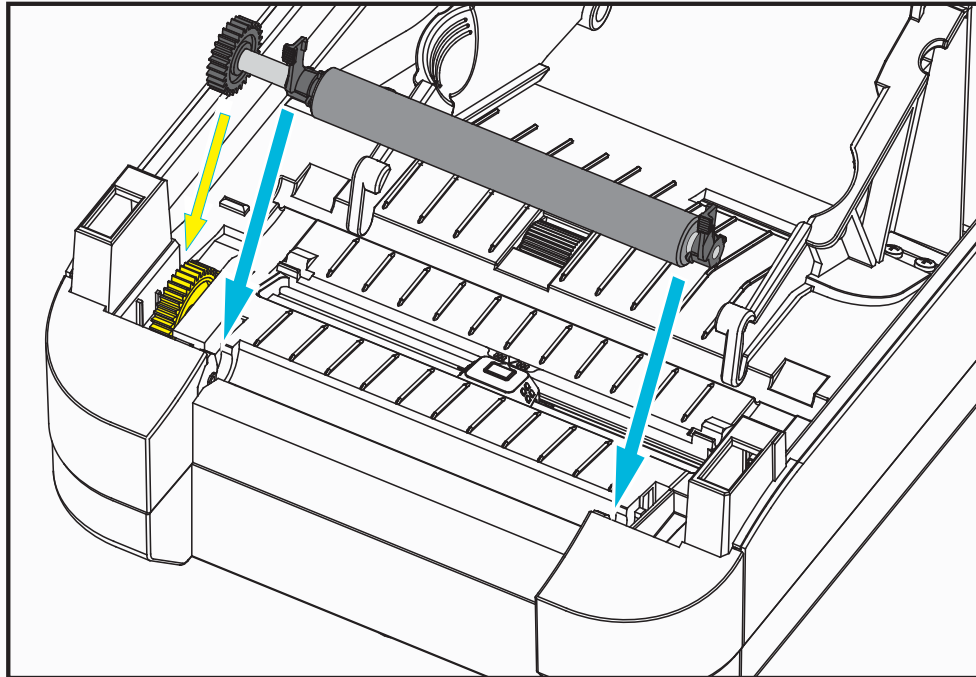
3. Lift the platen out of the printer's bottom frame.



4. Clean the platen with the alcohol moistened swab. Clean from the center out. Repeat this process until the all of the roller surface has been cleaned. If there has been heavy adhesive build-up or label jam, repeat with a new swab to remove residual contaminates. Adhesives and oils, for example, may be thinned by the initial cleaning but not completely removed.
5. Install the platen in the printer. Discard the cleaning swabs after use - do not reuse.
6. Make sure the bearings and drive gear are on the shaft of the platen.



7. Align the platen with the gear to the left and lower it into the printer's bottom frame.



8. Gently rotate both platen bearing latch release tabs down toward the rear of the printer and snap them into the notches in both bearing wells.

Allow the printer to dry for one minute before closing the dispenser door, media cover or loading labels.

Other Printer Maintenance

There are no user level maintenance procedures beyond those detailed in this section. See the [Troubleshooting on page 81](#) for more information on diagnosing printer and print problems.

Replacing the Printhead

If you need to replace the printhead, read the procedure and review the removal and installation steps before actually replacing the printhead.



Caution • Prepare your work area by protecting against static discharge. Your work area must be static-safe and include a properly grounded conductive cushioned mat to hold the printer and a conductive wrist strap for yourself.

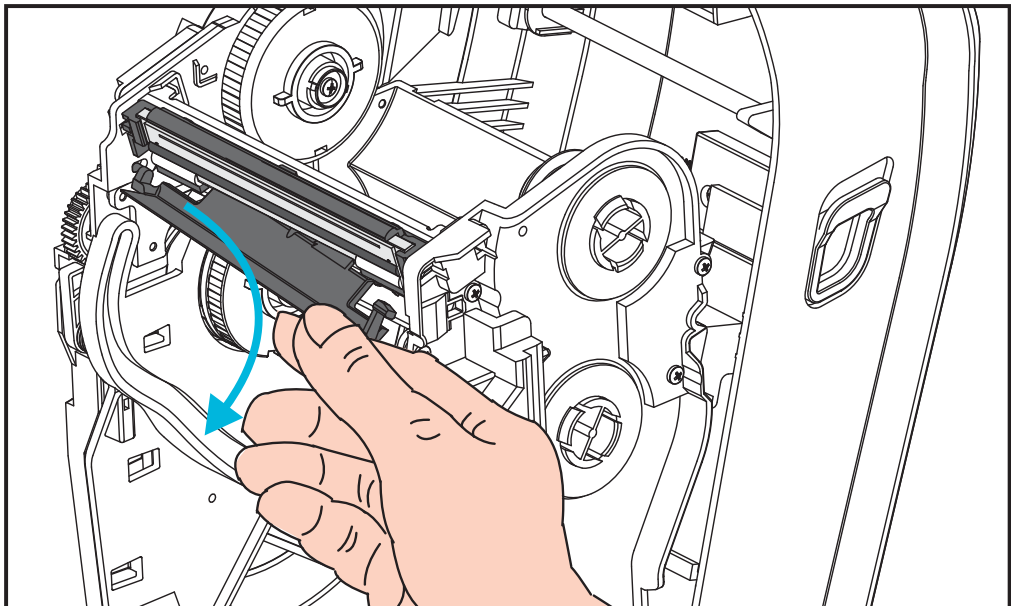
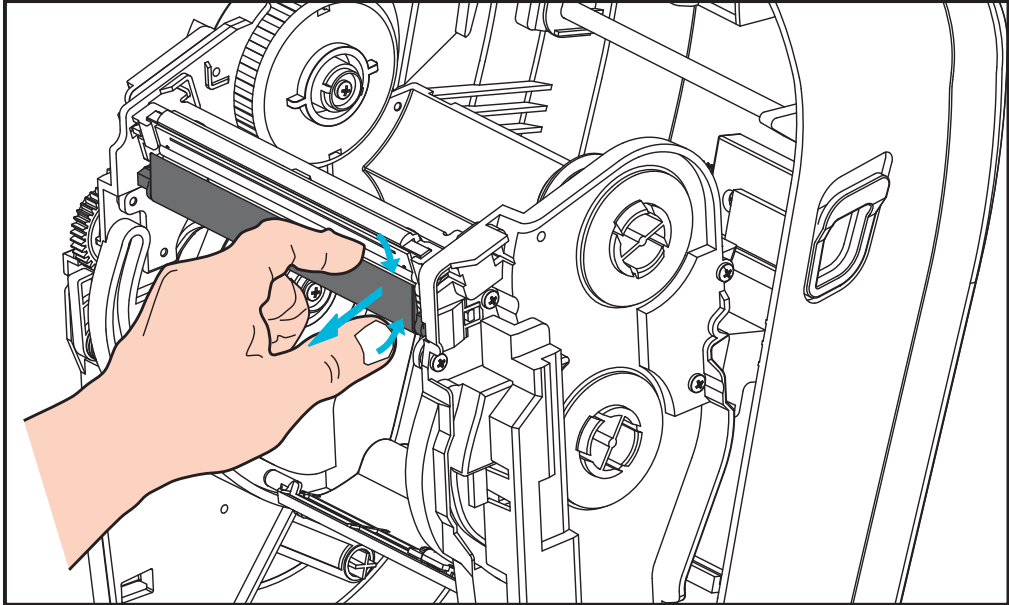


Caution • Turn the printer power off and unplug the power cord before replacing the printhead.

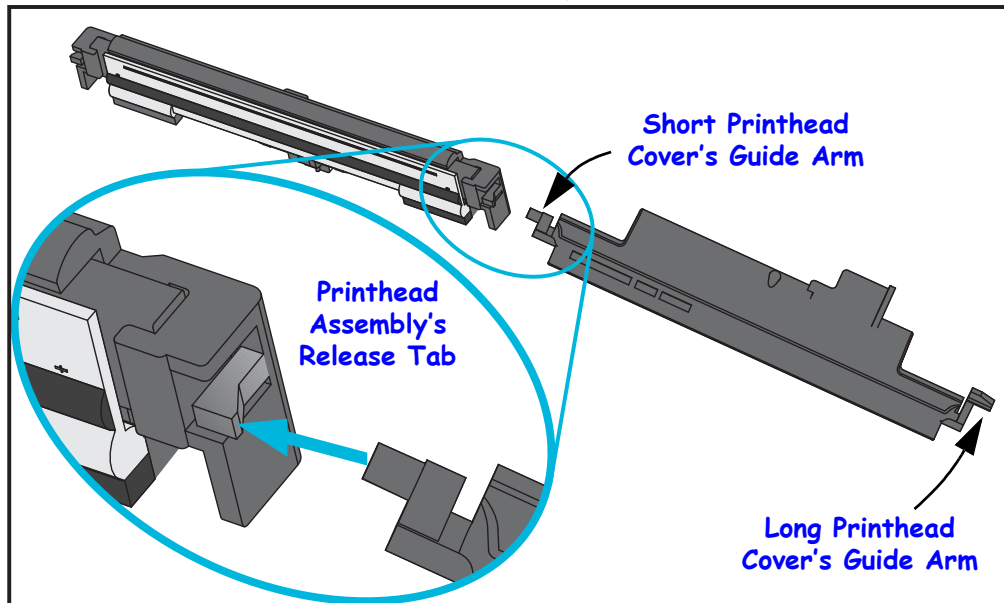
Before following the steps in this procedure, open the printer by pulling the release latches forward then lifting the top cover. Please review the entire procedure before proceeding with this service procedure.

Printhead Removal

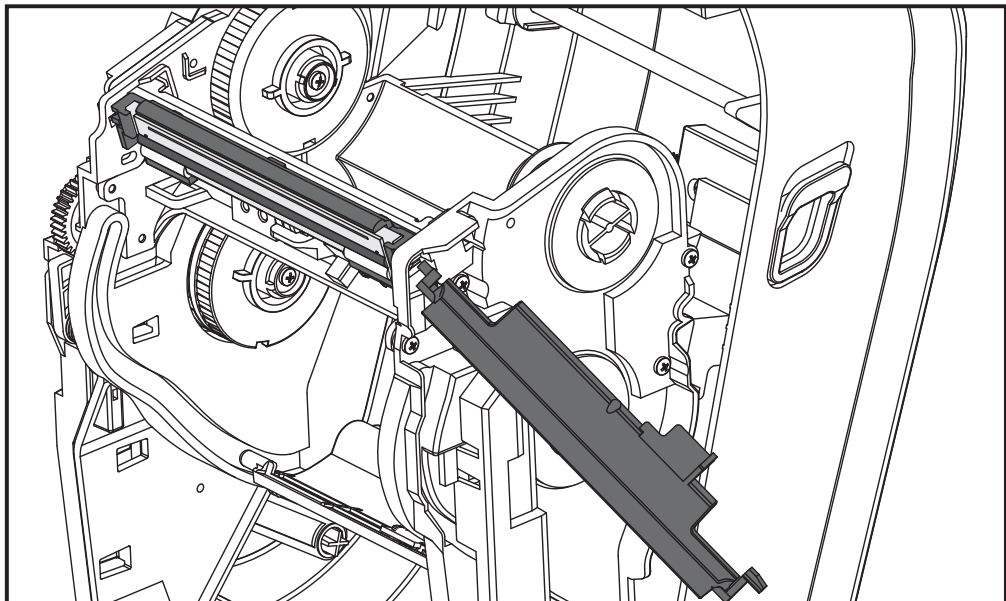
1. Open the printer. Remove any transfer ribbon from the printer.
2. Grasp the right side of the printhead's cover bracket and gently pull the bracket away from the printhead. There is a gap in the cover on the side for the thumb to grab. You can use the other finger to supply additional gentle pressure to pry the cover from the ribbon frame.



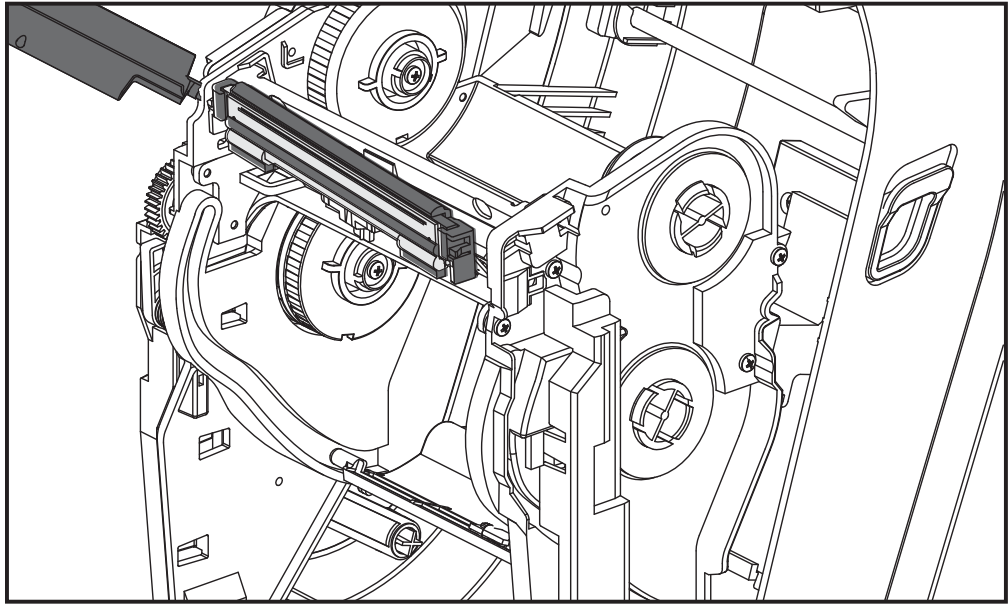
3. Use the printhead cover's the left side's short guide arm to release the printhead from the ribbon frame.



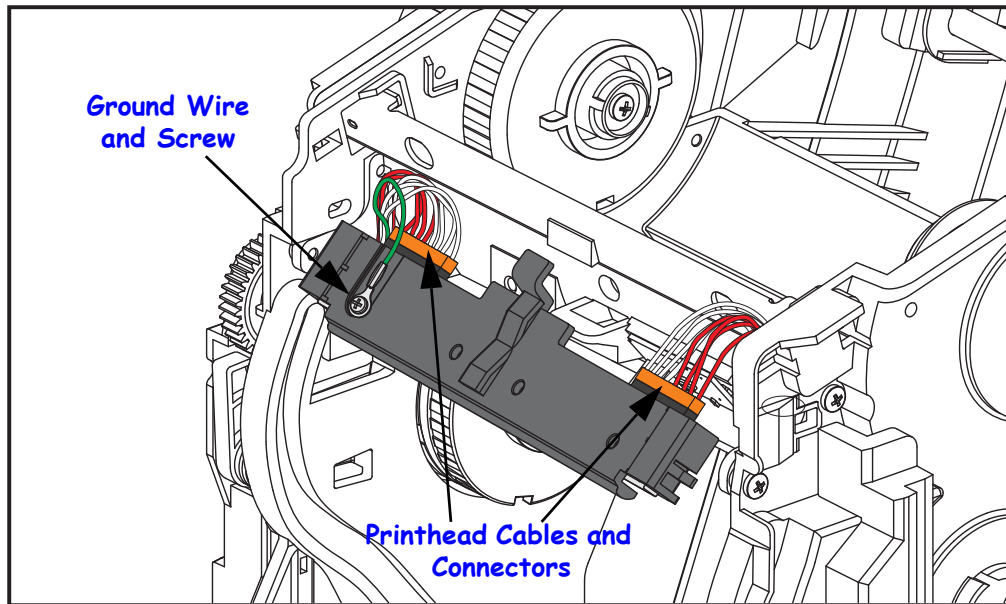
Push the short arm's pin into the right side of the ribbon frame and press the printhead's release tab.



If needed, push the short arm's pin into the left side of the ribbon frame and press the printhead's other release tab.



4. Use a Phillips screwdriver to remove the screw that holds the ground (green) wire.

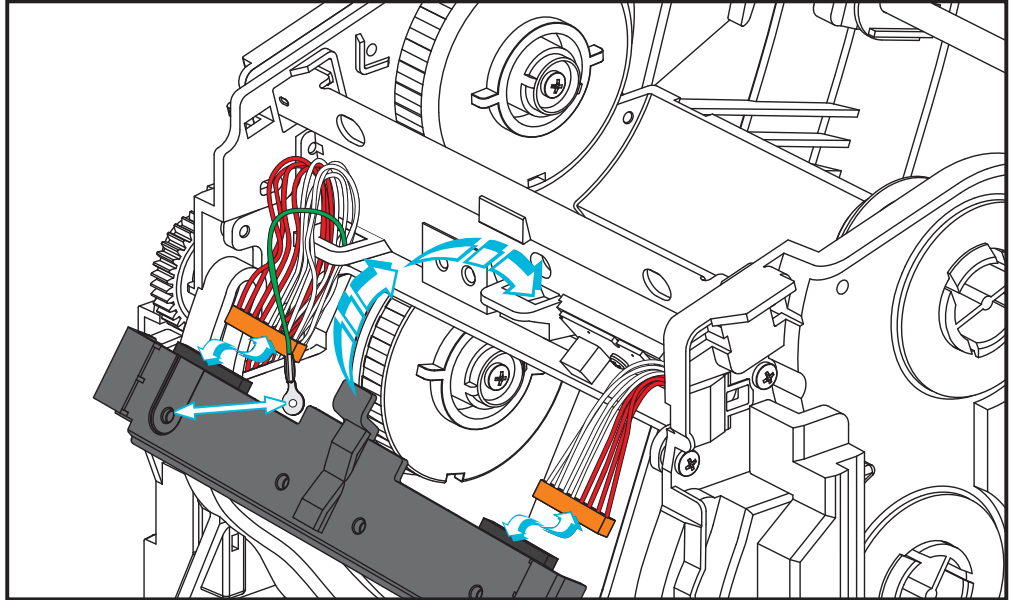


Disconnect the two printhead cables from the printhead assembly by slowly and gently pulling them straight out of the connector. Pulling the connector out at an angle may damage the printhead's connector pins and receptacle.

Printhead Replacement

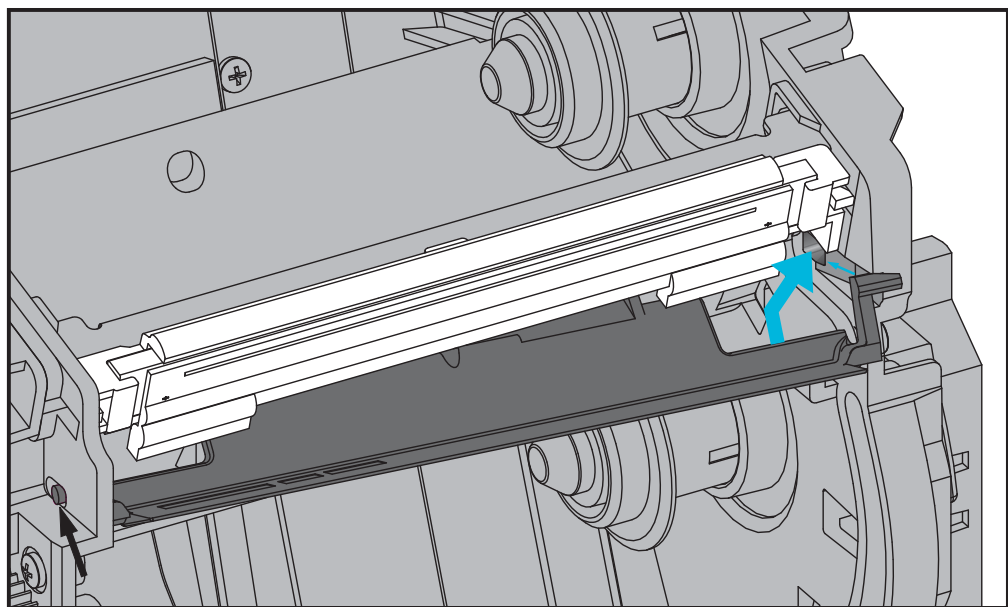
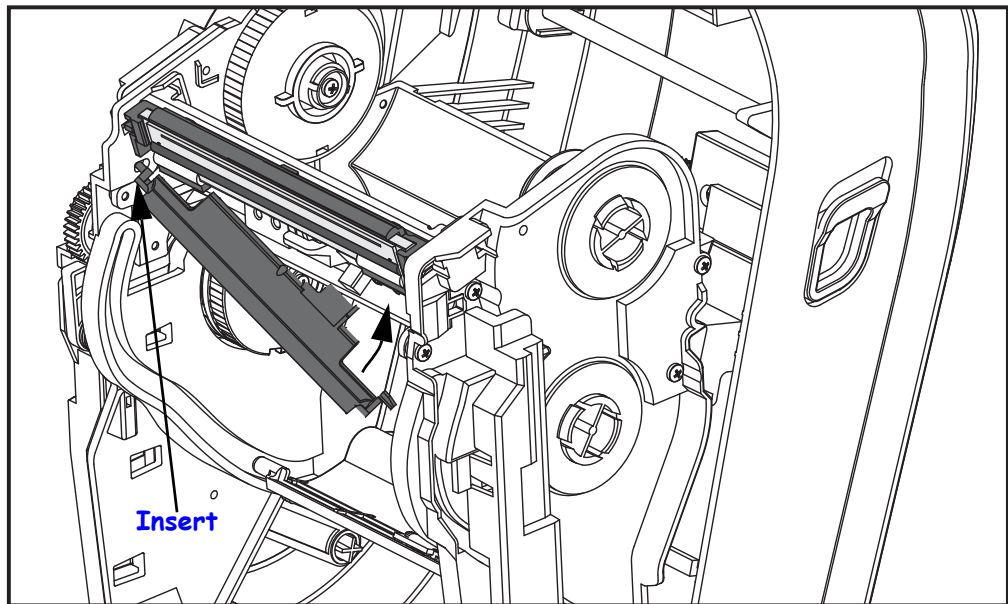
The printhead is replaced by essentially reversing removal procedure steps.

1. Connect the two printhead cables to the printhead.



2. Connect the ground wire to the printhead assembly.
3. Insert printhead assembly's center pivot tab into the slot on the ribbon frame.

4. Snap the left and right sides of the printhead assembly into the ribbon frame. Verify that the printhead is captured properly by the locking tabs and the frame. Alternately push each side of the printhead into the ribbon frame to verify that it is secured by the tabs.



5. Verify that the printhead moves up and down freely when pressure is applied and remains locked when released.
6. Clean the printhead. Use a new pen to wipe body oils (finger prints) and debris of the printhead. Clean from the center of the printhead to the outside. See [Cleaning the Printhead](#) on page 69.
7. Reload media. Plug in the power cord, turn on the printer and print a status report to ensure proper function. See [Test Printing \(Configuration Report\)](#) on page 26.

Troubleshooting

This section provides information about printer error reporting that you might need for printer troubleshooting. Assorted diagnostic tests are included.

Contents

Status Light Descriptions	82
Status Light Error Resolutions	82
Print Quality Problems	85
Manual Calibration	88
Troubleshooting Tests	89
Resetting the Factory Default Values	90
Communications Diagnostics	90
Feed Button Modes	92

Status Light Descriptions

What the Status Light is Telling You		
LED Status and Color	Printer Status	For a Resolution, Refer to Number:
Off	Off	1
Solid Green	On	2
Solid Amber	Stopped	3
Flashing Green	Normal Operation	4
Flashing Red	Stopped	5
Double Flashing Green	Paused	6
Flashing Amber	Paused	7
Alternately Flashing Green and Red	Needs Service	8
Flashing Red, Red and Green	Needs Service or power cycle	9
Flashing Red, Amber Green (* - Do NOT reset or turn off power!)	Memory Defragmentation	10*

Status Light Error Resolutions

The following Status Error Light Resolution numbers correspond to the Status Light Description table on the previous page. Each error number may have one or more resolution to correct that error listed.

1. The printer is not receiving power.

- Have you turned on the printer power?
- Check power connections from the wall outlet to the power supply, and from the power supply to the printer. See [Attaching Power on page 11](#).
- Disconnect the printer from the wall outlet for 30 seconds and then reconnect the printer to the wall outlet.

2. The printer is on and in an idle state.

No action necessary.

3. The printer has failed its power on self test (POST).

- If this error occurs right after you turn on the printer, contact an authorized reseller for assistance. When the printer is operating normally, the printer status light will be amber for about 10 seconds before turning green (solid or blinking).

There is a memory error.

- If this error occurs after you have been printing, turn the printer power off and on, and then resume printing.

The printhead needs to cool down.

- If this error continues, turn the printer power off for five minutes or more, and then turn on. If the amber light persists, then the printer requires service.

4. The printer is receiving data.

- As soon as all of the data has been received, the status LED will turn green and the printer will automatically resume operation.

5. The media is out.

- Follow the instructions for [Loading Roll Media on page 12](#) in the Getting Started section, and then press the Feed button to resume printing.

The ribbon is out.

- The printer has sensed the end of the ribbon roll. Replace the ribbon.

The printhead is open.

- Close the top cover and then press the Feed button to resume printing.

The cutter has a error.

The cutter blade is in the media path. Cutter maybe obstructed (jammed). The cutting blade is stopped. Needs service if cycling power or running cut cycles with the SGD `cutter.clean_cutter` command can not clear the obstruction. See the ZPL Programming Guide for more information.

6. The printer is paused.

- Press the Feed button to resume printing.

7. The printhead is over temperature.

- Printing will stop until the printhead cools to an acceptable printing temperature. When it does, the printer will automatically resume operation.

8. FLASH memory is not programmed.

- Return the printer to an authorized reseller.

9. The printhead or motor has had a critical failure.

- Return the printer to an authorized reseller.
- The printhead may have had a 'THERMAL SHUTDOWN' error. Turn off the printer power and let the printer sit for several minutes before reapplying power. If it still get the error, return the printer to an authorized reseller.

10. The printer is defragmenting memory.

Caution • Do NOT turn off the printer power during defragmentation. Doing so can damage the printer.

- Defragmentation is a normal operation of the printer – necessary to manage the memory space for optimal use. The printer will defragment its memory both after a factory default and when the printer detects that memory defragmentation is required.

When the printer is in this condition, allow it to finish defragmenting. If this warning occurs frequently, check the label formats. Formats that frequently and repeatedly write to and erase from memory may cause the printer run defragmentation routines. Using formats that avoid frequent and repeated memory write/erase event will minimize the need for defragmentation.

- If this warning condition does not go away, contact Technical Support. The printer requires service.

Print Quality Problems

No print on the label.

- The media may not be direct thermal media when printing without ribbon (i.e. thermal transfer). The media may not be direct thermal media. See the test procedure [Determining Thermal Media Types on page 41](#).
- For thermal transfer printers, the media may not be outside wound or approved for use in the printer. See the following ribbon test procedures: [Ribbon Test with Adhesive on page 48](#) and [Ribbon Scratch Test on page 49](#).
- Is the media loaded correctly? Follow the instructions for [Loading Roll Media on page 12](#) in the Getting Started section. For printing using transfer ribbon, see [Loading Transfer Ribbon on page 16](#).

The printed image does not look right.

- The printhead is dirty. Clean the printhead.
- The printhead is under temperature.
- Adjust the print darkness and/or print speed.
 - Use the **^PR** (speed) and **~SD** (darkness) commands referenced in the ZPL Programming Guide.
 - Use the **D** (darkness/density) and **S** (speed) commands in the *EPL Programmer's Guide*.
 - Manually adjust print darkness with the six-flash sequence of [Feed Button Modes on page 92](#).
 - The Windows printer driver or application software may change these settings and may require a change to optimize print quality.
- The media being used is incompatible with the printer. Be sure to use the recommended media for your application, and always use Zebra-approved labels and tags.
- The printhead has worn out. The printhead is a consumable item and will wear out due to friction between the media and printhead. Using unapproved media may shorten life or damage your printhead. Replace the printhead.
- The platen may need cleaning or replacement. The platen (driver) roller maybe losing traction due to:
 - Foreign objects attached to its surface,
 - The rubbery smooth surface has become polished and slippery, or
 - There is damage to the normally smooth and flat print surface such as box knife cuts.

There are long tracks of missing print (blank vertical lines) on several labels.

- The printhead is dirty. Clean the printhead.
- The printhead elements are damaged.

The printing does not start at the top of the label or misprinting of one to three labels.

- The media may not be threaded correctly. Follow the instructions for [Loading Roll Media on page 12](#) in the Getting Started section.
- The printer needs to be calibrated. Refer to the two-flash sequence of [Feed Button Modes on page 92](#) in this section.
- ZPL Label Formats - The correct media sensor may not be activated. Manual calibration selects the media sensing method for the labels being used (refer to the **^MN** command in the *ZPL Programming Guide*).
- ZPL Label Formats - Verify that the Label Top (**^LT**) command is correctly set for your application (consult the *ZPL Programming Guide*).
- EPL Label Formats - The correct media sensor may not be activated for label dispensing, blackline or notch sensing, or for Gap/Web sensing. Manual calibration selects the media sensing method for the labels being used (refer to the **O** and **Q** commands in the *EPL Programmer's Guide*).
- EPL Label Formats - Verify that the Set Label Length (**Q**) command is correctly set for your application (consult the *EPL Programmer's Guide*).

A ZPL label format was sent to, but not recognized by, the printer.

- Is the printer in pause mode? If so, press the Feed button.
- If the status LED is on or flashing, refer to [What the Status Light is Telling You on page 82](#).
- Make sure the data cable is correctly installed.
- A communications problem has occurred. First, make sure that the correct communications port on the computer is selected. Refer to [Connecting your Printer to a Computer on page 29](#) in the Getting Started section.
- Verify the correct Format and Control Prefix on the printer match what you are using in your ZPL programmed label format. The default Format (COMMAND CHAR) is Caret (^) character and the Control (CONTROL CHAR) is a Tilde (~) character. Verify the characters with the Configuration Status label printout. Refer to the one-flash sequence of [Feed Button Modes on page 92](#) to print this label.

A EPL label format was sent to, but not recognized by, the printer.

- Is the printer in pause mode? If so, press the Feed button.
- If the printer has label dispensing enabled, the printer may be waiting for the label to be removed. The liner/web must be properly threaded through the label dispenser mechanism (peeler) to correctly operate in label dispense mode, refer to [Label Dispenser Option on page 58](#).
- If the status LED is on or flashing, refer to [What the Status Light is Telling You on page 82](#).
- Make sure the data cable is correctly installed.
- A communications problem has occurred. First, make sure that the correct communications port (USB) on the computer is selected. Refer to [Connecting your Printer to a Computer on page 29](#) in the Getting Started section.

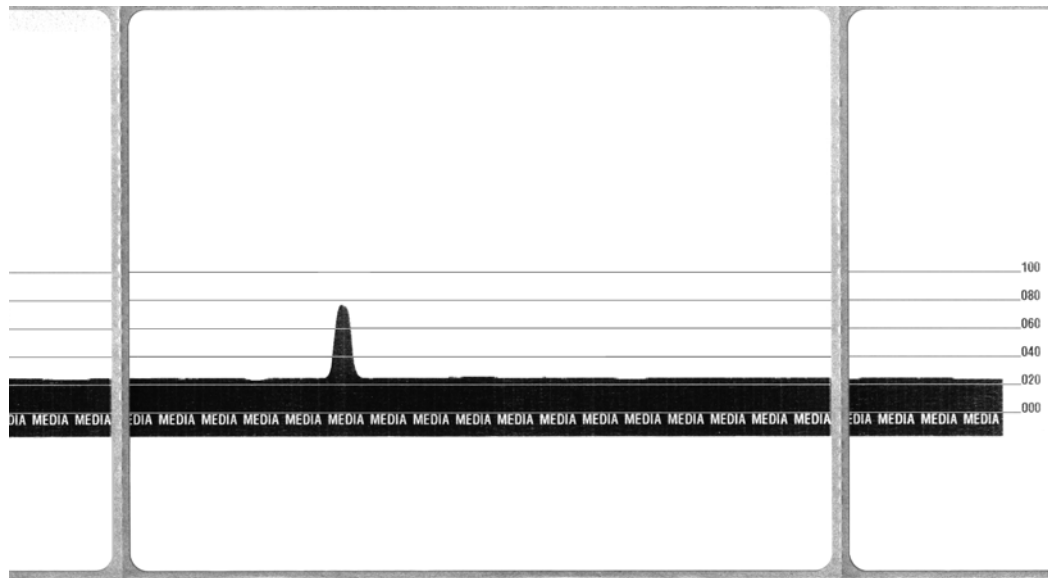
Manual Calibration

Manual calibration is recommended whenever you are using pre-printed media or if the printer will not correctly auto calibrate.

1. Make sure media is loaded.
2. Turn on the printer power.
3. Press and hold the Feed button until the green status light flashes once, then twice and then continuing until the flash groups reach the group of seven flashes. Release the Feed button.
4. The printer will set the media sensor for the label backing being used. After it is done making this adjustment, the roll will automatically feed until a label is positioned at the printhead. A profile of the media sensor settings (similar to the example below) will print. Upon completion, the printer will save the new settings in memory and the printer is ready for normal operation.
5. Press the Feed button. One entire blank label will feed. If this does not happen, try defaulting (refer to the four-flash sequence in “Feed Button Modes” later in this chapter) and recalibrating the printer.



Note • Performing a manual calibration disables the auto calibration function. To return to auto calibration, default the printer (refer to the four-flash sequence in *Feed Button Modes* on page 92 in this section).



Troubleshooting Tests

Printing a Configuration Report

To print out a listing of the printer’s current configuration, refer to the one-flash sequence in *Feed Button Modes* on page 92 in this section. See *Appendix: ZPL Configuration* on page 103 to interpret the label.

PRINTER CONFIGURATION	
Zebra Technologies	
ZTC GT800-300dpi EPL	
24.0.....	DARKNESS
LOW.....	DARKNESS SWITCH
4 IPS.....	PRINT SPEED
+000.....	TEAR OFF
TEAR OFF.....	PRINT MODE
GAP/NOTCH.....	MEDIA TYPE
WEB.....	SENSOR TYPE
AUTO.....	SENSOR SELECT
DIRECT-THERMAL.....	PRINT METHOD
1200.....	PRINT WIDTH
1525.....	LABEL LENGTH
39.0IN 975MM.....	MAXIMUM LENGTH
NOT CONNECTED.....	USB COMM.
BIDIRECTIONAL.....	PARALLEL COMM.
9600.....	BAUD
8 BITS.....	DATA BITS
NONE.....	PARITY
DTR & XON/XOFF.....	HOST HANDSHAKE
NONE.....	PROTOCOL
AUTO.....	SER COMM. MODE
LINER/TAG FULL.....	CUTTER TYPE
<~> 7EH.....	CONTROL CHAR
<^> 5EH.....	COMMAND CHAR
<.> 2CH.....	DELIM. CHAR
ZPL II.....	ZPL MODE
NO MOTION.....	MEDIA POWER UP
NO MOTION.....	HEAD CLOSE
DEFAULT.....	BACKFEED
+000.....	LABEL TOP
+0000.....	LEFT POSITION
NO.....	HEXDUMP
043.....	WEB S.
096.....	MEDIA S.
015.....	WEB GAIN
029.....	MARK S.
017.....	MARK GAIN
096.....	MARK MED S.
089.....	MARK MEDIA GAIN
095.....	CONT MEDIA S.
007.....	CONT MEDIA GAIN
075.....	RIBBON OUT
040.....	RIBBON GAIN
066.....	TAKE LABEL
CWF.....	MODES ENABLED
.....	MODES DISABLED
1280 12/MM FULL.....	RESOLUTION
V70.17.18ZG01 <-.....	FIRMWARE
1.3.....	XML SCHEMA
V29.00.06.....	HARDWARE ID
CUSTOMIZED.....	CONFIGURATION
2104k.....R:	RAM
6144k.....E:	ONBOARD FLASH
NONE.....E:	FORMAT CONVERT
DISABLED.....	ZBI
2.1.....	ZBI VERSION
435 IN.....	LAST CLEANED
435 IN.....	HEAD USAGE
435 IN.....	TOTAL USAGE
435 IN.....	RESET CNTR1
435 IN.....	RESET CNTR2
11J142300559.....	SERIAL NUMBER
MAINT. OFF.....	EARLY WARNING
FIRMWARE IN THIS PRINTER IS COPYRIGHTED	

Recalibration

Recalibrate the printer if it starts to display unusual symptoms, such as skipping labels. Refer to the two-flash sequence in *Feed Button Modes* on page 92 in this section.

Resetting the Factory Default Values

Sometimes, resetting the printer to the factory defaults may solve some problems. Refer to the four-flash sequence in *Feed Button Modes on page 92* in this section.

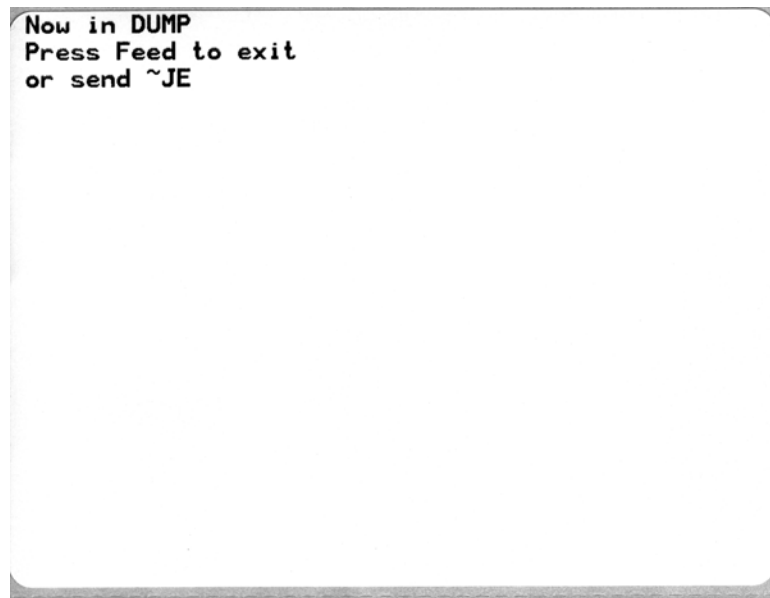
Communications Diagnostics

If there is a problem transferring data between the computer and printer, try putting the printer in the communications diagnostics mode. The printer will print the ASCII characters and their respective hexadecimal values (a sample is shown below) for any data received from the host computer. To find out how,

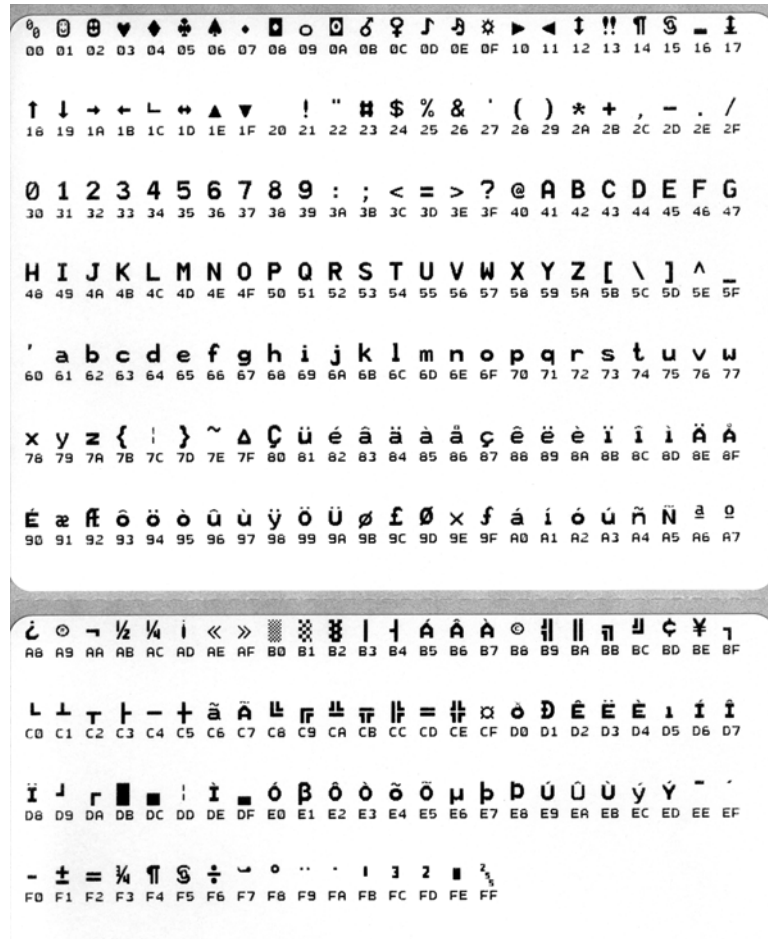
There are multiple ways to enter hex data dump mode:

- The `~JD` ZPL command
- The `dump` EPL command
- On power up with the Feed button pressed. Refer to the power off mode procedure in *Feed Button Modes on page 92* in this section.

The printer will print 'Now in DUMP' (see below) and advance to the top of the next label.



The following example of a communications DUMP mode printed out. The printout displays hexadecimal data 00h-FFh (0-255 decimal) with a unique character for each hexadecimal value displayed above the hexadecimal data.



The blank lines between the lines of data are where serial port and Bluetooth data handling errors get logged. The errors are:

- F = Frame Error
- P = Parity Error
- N = Noise Error
- O = Data Overrun Error

To exit the diagnostic mode and resume printing, turn off and then turn on the printer. An alternate method for exiting the diagnostic mode is to press the Feed button as many times as it takes to clear the printer's command buffer and print 'Out of DUMP' on the label.



Feed Button Modes

Power Off Modes	
With the printer power off, press and hold the Feed button while you turn on the power.	
Flash Sequence	Action
Amber - Red Flashing	<p>Firmware Download Mode - The printer starts rapidly flashing red to denote entry into the Firmware Download mode. Releasing the Feed button here will start initializing the printer for download. The printer is ready to start downloading firmware when the status light begins to slowly flash between red and green.</p> <p>See Sending Files to the Printer on page 56 for more information on using the Firmware (and File) Download utility available for use with this printer. Firmware updates for your printer, if available, are posted on the Zebra on our web site at: www.zebra.com</p>
Amber	<p>Normal Operations Mode - The printer continues into a normal printer initialization. Releasing the Feed button here will allow the printer to start normally without firmware download or operating in communications diagnostics mode.</p>
Green	<p>Communications Diagnostic (Dump) Mode - Release the Feed button immediately after the printer status light turns green. The printer will print 'Now in DUMP' at the top of the label and then advance to the next label. After printing the first label, the printer will automatically enter into diagnostic mode in which the printer prints out a literal representation of all data subsequently received.</p> <p><i>To exit the diagnostic mode and resume printing, turn off and then turn on the printer. An alternate method for exiting the diagnostic mode is to press the Feed button as many times as it takes to clear the printer's command buffer and print 'Out of DUMP' on the label.</i></p>

Power On Modes

With the printer power on and top cover closed, press and hold the Feed button for several seconds. The green status LED will flash a number of times in sequence. The explanation at the right (Action) shows what happens when you release the key after the start specific number of flashes and before the next flash sequence starts.

Flash Sequence	Action
*	Configuration Status - Prints a detailed printer configuration status label. The label can be used to verify printing, assist printer to computer communication configuration, maintenance, troubleshooting, and help us with customer care communications.
* **	Standard Auto Media Calibration - The printer detects and sets media type and media length, and it adjusts the media sensors for optimal performance with the installed media (equivalent ZPL command <code>~JC</code>). The printer will feed one to four labels while calibrating. <i>Note: Users familiar with the Zebra EPL desktop printer use this Feed mode to replace power-up AutoSensing calibration (equivalent EPL command <code>XA</code>).</i>
* ** ***	Serial Port Configuration - <i>Applies only to printers with serial interface ports.</i> To reset the serial port communication parameters, except for Flow Control. Press and release the Feed button while the LED rapidly flashes amber and green. For autobaud synchronization: Send the <code>^XA^XZ</code> command sequence to the printer while the LED rapidly flashes amber and green. When the printer and host are synchronized, the LED changes to solid green. NOTE: No labels will print during autobaud synchronization.
* ** *** ****	Factory Defaults - Resets the printer to the factory default settings (equivalent to ZPL command <code>^JUN</code>). See Appendix: ZPL Configuration on page 103 for a description of the primary configuration settings and their associated ZPL commands. Some configuration settings are not returned to their initial 'out of box' settings. Other settings are exclusively set, viewed and controlled by programming are also reset. The printer then performs a standard media calibration followed by a memory defragmentation routine. Once a network printer has entered the Factory Default mode , the status light will turn amber for three (3) seconds. During that time you may do two things: Do nothing and the printer will reset the factory defaults automatically as described above OR press and hold the feed button to enter a factory default reset modes for printers with a network (Ethernet, Wi-Fi or Bluetooth) printer option (equivalent ZPL command <code>^JUF</code>). Releasing the button after the first flash resets the network factory options only (equivalent ZPL command <code>^JUN</code>). Releasing the button after the second flash sequence (two flashes) will reset the printer defaults only. Releasing the button after the third flash sequence (three flashes) will reset both printer and network settings (equivalent ZPL commands <code>^JUN</code> and <code>^JUF</code>)
* ** *** **** *****	Print Width Adjustment - Prints a succession of boxes starting at the minimum print width and ending in the printer's maximum print width in 4mm increments. Press the Feed button once when the printer has reached the desired maximum print width. Note that the printer driver and applications can override this setting.
* ** *** **** ***** *****	Print Darkness (Density) Adjustment - Prints a succession of bar code simulation patterns starting at the minimum darkness (print density/heat) and ending in the printer's maximum darkness in increments of four (4) using the ZPL darkness setting range values. Press the Feed button once the pattern is clear and legible. Do not continue to increase the darkness setting or bar code line widths may become distorted reducing readability. Note that the printer driver and applications can override this setting.
* ** *** **** ***** ***** *****	Manual Media Calibration - The printer runs extensive tests to detect and set media type and media length, and then it adjusts the media sensors for optimal performance with the installed media (equivalent ZPL command <code>~JG</code>). Manual calibration is recommended whenever you are using pre-printed media, print on the liner or if the printer will not correctly auto calibrate. A graphical profile of the media sensing will print. See Manual Calibration on page 88 for more details and considerations.

If the Feed button remains pressed after 7th flash sequence cycle finishes, the printer exits the configuration mode when the Feed button is released.



Notes •

Appendix: Interface Wiring

This section provides printer interface connection information.

Contents

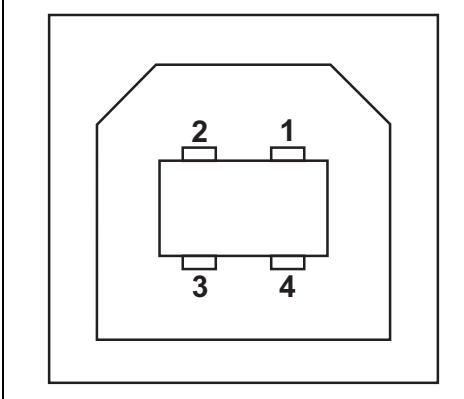
Universal Serial Bus (USB) Interface	96
Parallel Interface	97
Ethernet Interface.	98
Serial Port Interface	99

Universal Serial Bus (USB) Interface

The figure below displays the cable wiring required to use the printer's USB interface.

The printer requires cable or cable packaging that bears the "Certified USB™" mark to guarantee USB 2.0 compliance.

Pin	Signal
1	Vbus - N/C
2	D-
3	D+
4	Ground
Shell	Shield / Drain Wire



For printer supported operating systems and drivers, see the software and documentation CD or visit the Zebra Web site at:

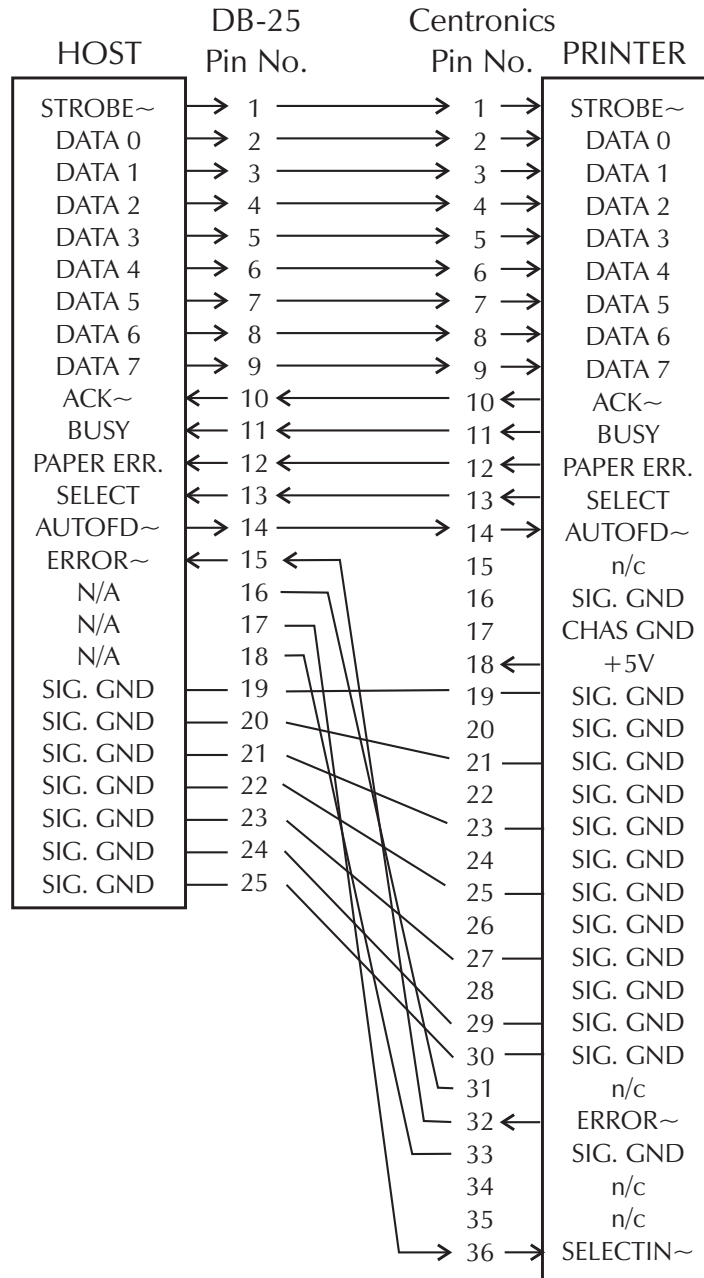
<http://www.zebra.com>

For information on the USB interface, go to the USB web site at:

<http://www.usb.org>

Parallel Interface

The printer's parallel interface uses the IEEE 1284-A to 1284-B parallel interface cables. The host connector has a DB-25 pin male connector. The printer connector is a Centronics style connector.



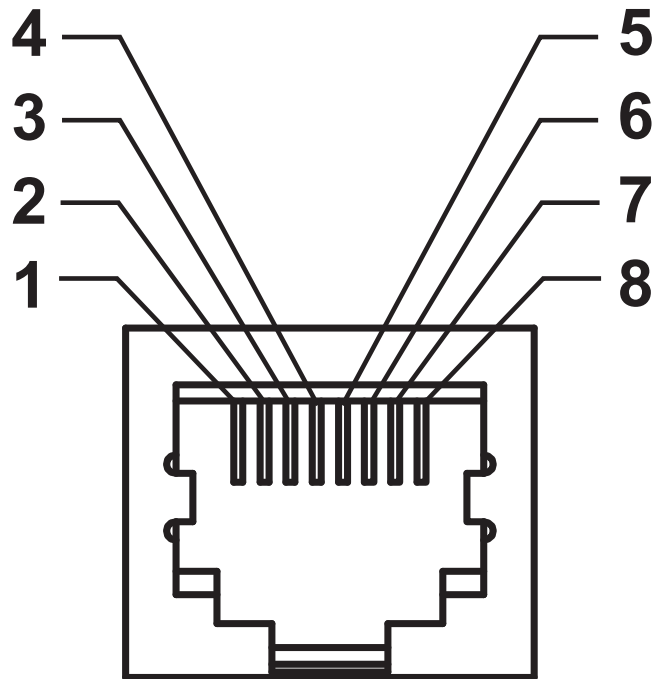
**DB-25 to Centronics
(Cable)**

Ethernet Interface

This interface requires a UTP RJ45 Ethernet cable rated CAT-5 or better.

The table below provides the cable's pinout assignments.

Signal	Pin	Pin	Signal
Tx+	1	1	Tx+
Tx-	2	2	Tx-
Rx+	3	3	Rx+
—	4	4	—
—	5	5	—
Rx-	6	6	Rx-
—	7	7	—
—	8	8	—



Serial Port Interface

Pin	Description
1	Not used
2	RXD (receive data) input to the printer
3	TXD (transmit data) output from the printer
4	DTR (data terminal ready) output from the printer -- controls when the host may send data
5	Chassis ground
6	DSR (data set ready) input to the printer
7	RTS (request to send) output from the printer -- always in the ACTIVE condition when the printer is turned on
8	CTS (clear to send) - Not used by the printer
9	+5 V @ 0.75 A fused

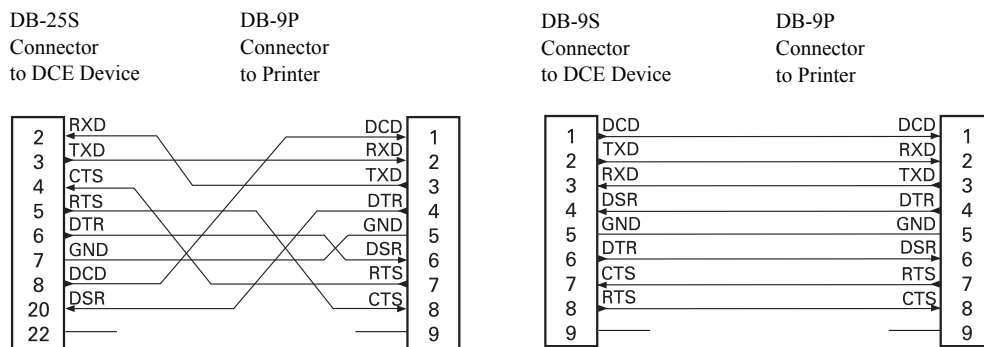
The maximum current available through the serial and/or parallel port is not to exceed a total of 0.75 Amps.

When XON/XOFF handshaking is selected, data flow is controlled by the ASCII control codes DC1 (XON) and DC3 (XOFF). The DTR control lead will have no effect.

Interconnecting to DCE Devices — When the printer is connected via its RS-232 interface to data communication equipment (DCE) such as a modem, a STANDARD RS-232 (straight-through) interface cable must be used. Figure 32 shows the connections required for this cable.

Connecting to the KDU (Keyboard Display Unit) — The KDU was designed for DCE printer connections and requires a Zebra custom serial port gender changing adapter. The KDU now includes the KDU adapter and the Zebra kit part number for the KDU Adapter is 105934-088.

Connecting the Printer to a DCE Device





Notes • _____

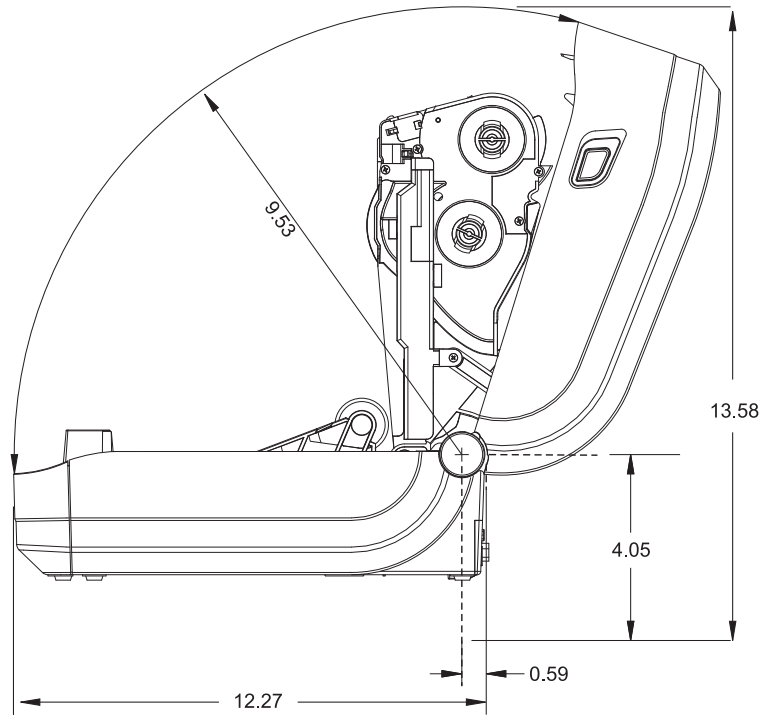
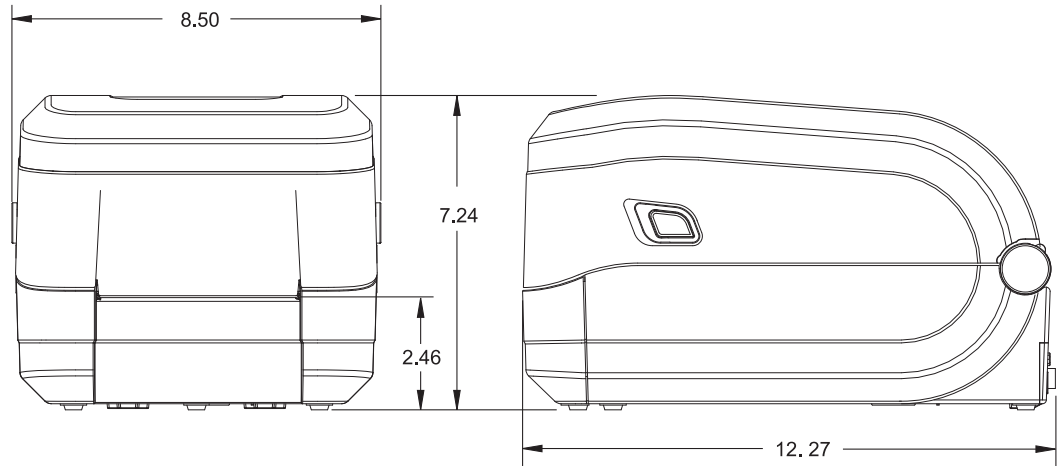
Appendix: Dimensions

This section provides external printer dimensions.

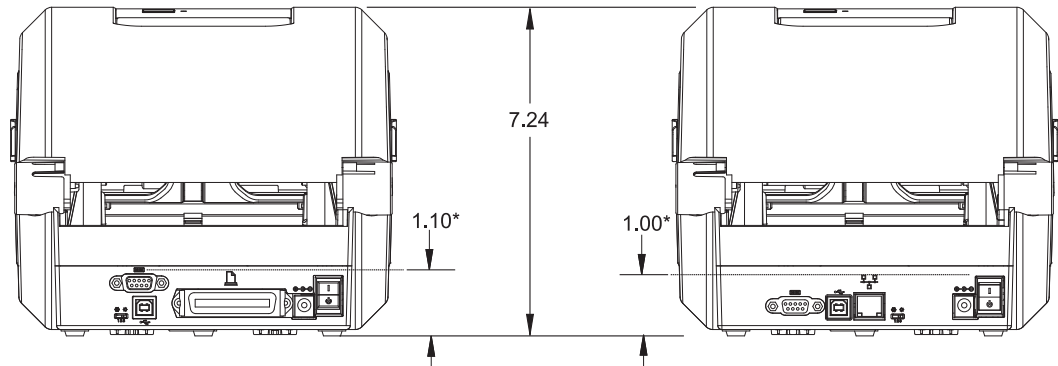
Contents

External GT-Series™ Printer Dimensions	102
--	-----

External GT-Series™ Printer Dimensions



All dimensions are in inches



Appendix: ZPL Configuration

This section provides a basic overview of managing printer configuration, the Configuring Status Printout, and Printer Memory Printouts.

Contents

Managing the ZPL Printer Configuration	104
ZPL Configuration Status to Command Cross-reference.	105
Printer Memory Management and Related Status Reports	108

Managing the ZPL Printer Configuration

The ZPL printer is designed to allow you to change printer settings dynamically for fast first label out printing. Printer parameters that are persistent, will be retained for following formats to use. Those settings will remain in effect until they are changed by subsequent commands, the printer is reset, power is cycled, or when you restore a parameter that has a factory default by using the Feed Button Mode four (4) flash routine. The ZPL Configuration Update command (^JUS) saves and restores printer configurations to initialize (or re-initialize) the printer with pre-configured settings.

- To keep settings after a power cycle or printer reset, a ^JUS can be sent to the printer to save all current persistent settings.
- The values are recalled with a ^JUR command to restore the last saved values to you printer.

ZPL stores all parameters at once with a single command discussed above. The legacy EPL programming language (supported by this printer) changes and saves individual commands immediately. Most configuration and settings are shared between ZPL and EPL. For example, changing the speed setting with EPL will also change the speed set for ZPL operations. The changed EPL setting will persist even after a power cycle or reset issued by either printer language.

To assist the developer, the printer has a listing of the operating parameters, a Printer Configuration Label. It can be accessed by using the printer's Feed button and the *Test Printing (Configuration Report)* on page 26. The Zebra Setup Utility and the ZebraDesigner™ Windows driver also print this label and other printer status labels to help you manage your printer.

ZPL Printer Configuration Format

Managing more than one printer can be done creating a printer configuration programming file to send to one or more printers or ZebraNet™ Bridge can be used to clone a printer's setup. Figure 1 below shows the basic structure of a ZPL programming configuration file.

See the ZPL programmer's guide and the *ZPL Configuration Status to Command Cross-reference* on page 105 to create a programming file. The Zebra Setup Utility (ZSU) can be used to send programming files to the printer. Windows Notepad (text editor) can be used to create programming files.

Figure 1 • Configuration Parameter Format Structure

^XA — Start Format Command

Format Commands are order sensitive

- a) General Print and command settings
- b) Media handling and behaviors
- c) Media print size

^JUS command to save

^XZ — End Format Command

ZPL Configuration Status to Command Cross-reference

The Printer Configuration Report, shown below, provides a listing of a majority of the configurations settings that can be set by ZPL command.

Figure 2 • Configuration Report Printout

PRINTER CONFIGURATION	
Zebra Technologies ZTC GT800-300dpi EPL	
24.0.....	DARKNESS
LOW.....	DARKNESS SWITCH
4 IPS.....	PRINT SPEED
+000.....	TEAR OFF
TEAR OFF.....	PRINT MODE
GAP/NOTCH.....	MEDIA TYPE
WEB.....	SENSOR TYPE
AUTO.....	SENSOR SELECT
DIRECT-THERMAL.....	PRINT METHOD
1200.....	PRINT WIDTH
1525.....	LABEL LENGTH
39.0IN 975MM.....	MAXIMUM LENGTH
NOT CONNECTED.....	USB COMM.
BIDIRECTIONAL.....	PARALLEL COMM.
9600.....	BAUD
8 BITS.....	DATA BITS
NONE.....	PARITY
DTR & XON/XOFF.....	HOST HANDSHAKE
NONE.....	PROTOCOL
AUTO.....	SER COMM. MODE
LINER/TAG FULL.....	CUTTER TYPE
<~> 7EH.....	CONTROL CHAR
<^> 5EH.....	COMMAND CHAR
<, > 2CH.....	DELIM. CHAR
ZPL II.....	ZPL MODE
NO MOTION.....	MEDIA POWER UP
NO MOTION.....	HEAD CLOSE
DEFAULT.....	BACKFEED
+000.....	LABEL TOP
+0000.....	LEFT POSITION
NO.....	HEXDUMP
043.....	WEB S.
096.....	MEDIA S.
015.....	WEB GAIN
029.....	MARK S.
017.....	MARK GAIN
096.....	MARK MED S.
089.....	MARK MEDIA GAIN
095.....	CONT MEDIA S.
007.....	CONT MEDIA GAIN
075.....	RIBBON OUT
040.....	RIBBON GAIN
066.....	TAKE LABEL
CWF.....	MODES ENABLED
.....	MODES DISABLED
1280 12/MM FULL.....	RESOLUTION
V70.17.182G01 <-.....	FIRMWARE
1.3.....	XML SCHEMA
V29.00.06.....	HARDWARE ID
CUSTOMIZED.....	CONFIGURATION
2104k.....R:	RAM
6144k.....E:	ONBOARD FLASH
NONE.....	FORMAT CONVERT
DISABLED.....	ZBI
2.1.....	ZBI VERSION
435 IN.....	LAST CLEANED
435 IN.....	HEAD USAGE
435 IN.....	TOTAL USAGE
435 IN.....	RESET CNTR1
435 IN.....	RESET CNTR2
11J142300559.....	SERIAL NUMBER
MAINT. OFF.....	EARLY WARNING
FIRMWARE IN THIS PRINTER IS COPYRIGHTED	

Sensor Settings
used for Service
Purposes

Table 2 • ZPL Commands and Configuration Report Callout Cross-Reference

Command	Listing Name	Description
~SD	DARKNESS	<i>Default: 10.0</i>
—	DARKNESS SWITCH	LOW, MEDIUM, or HIGH
^PR	PRINT SPEED	<i>Default: 5 IPS / 127 mm/s (max.)</i>
~TA	TEAR OFF	<i>Default: +000</i>
^MN	MEDIA TYPE	<i>Default: GAP/NOTCH</i>
	SENSOR TYPE	<i>Default: WEB</i>
	SENSOR SELECT	<i>Default: AUTO (^MNA - Auto-Detect)</i>
^MT	PRINT METHOD	THERMAL-TRANS or DIRECT-THERMAL
^PW	PRINT WIDTH	<i>Default: 832 (dots for 203 dpi) or 1280(dots for 300 dpi)</i>
^LL	LABEL LENGTH	<i>Default: 1225 (dots) (the value constantly recalibrates with automatic Web-Gap detection for label media)</i>
^ML	MAXIMUM LENGTH	<i>Default: 39.0IN 989MM</i>
—	USB COMM.	<i>Connection Status: Connected / Not Connected</i>
—	PARALLEL COMM.	<i>Connection Available: BIDIRECTIONAL</i>
^SCa	BAUD	<i>Default: 9600</i>
^SC,b	DATA BITS	<i>Default: 8 BITS</i>
^SC,,c	PARITY	<i>Default: NONE</i>
^SC,,,,e	HOST HANDSHAKE	<i>Default: DTR & XON/XOFF</i>
^SC,,,,,f	PROTOCOL	<i>Default: NONE</i>
	SER COMM. MODE	<i>Default: AUTO</i>
	CUTTER TYPE	<i>Option Present: LINER/TAG FULL (cut)</i>
^CT / ~CT	CONTROL CHAR	<i>Default: <~> 7EH</i>
^CC / ~CC	COMMAND CHAR	<i>Default: <^> 5EH</i>
^CD / ~CD	DELIM./CHAR	<i>Default: <, > 2CH</i>
^SZ	ZPL MODE	<i>Default: ZPL II</i>
^MFa	MEDIA POWER UP	<i>Default: NO MOTION</i>
^MF,b	HEAD CLOSE	<i>Default: FEED</i>
~JS	BACKFEED	<i>Default: DEFAULT</i>
^LT	LABEL TOP	<i>Default: +000</i>
^LS	LEFT POSITION	<i>Default: +0000</i>
~JD / ~JE	HEXDUMP	<i>Default: NO (~JE)</i>

From this point in the Configuration Receipt listing, the printout has sensor settings and values are displayed to troubleshoot sensor and media operations. These are typically used by Zebra Tech Support to diagnose printer problems.

The configuration settings listed here resume after the **TAKE LABEL** sensor value. These listings contain printer features seldom changed from default or provide status information (e.g. Firmware Version).

Table 3 • ZPL Commands and Configuration Receipt Callout Cross-Reference

Command	Listing Name	Description
^MP	MODES ENABLED	<i>Default: CWF</i> (See ^MP Command) (CWF for wireless printers with display)
	MODES DISABLED	<i>Default: (nothing set)</i>
^JM	RESOLUTION	Default: 832 8/mm FULL (203 dpi) 1280 8/mm FULL (300 dpi)
—	FIRMWARE	Lists ZPL Firmware Version
—	XML SCHEMA	1.3
—	HARDWARE ID	Lists Firmware Boot-block Version
—	CONFIGURATION	CUSTOMIZED (after first use)
—	RAM	2104k..... R:
—	OPTION MEMORY	65536k.....B: (<i>only displays this if installed</i>)
—	ONBOARD FLASH	6144k.....E:
^MU	FORMAT CONVERT	NONE
^JI / ~JI	ZBI	DISABLED (<i>Requires key to enable</i>)
—	ZBI VERSION	2.1 (<i>Displayed if installed</i>)
^JH ^MA ~RO	LAST CLEANED	X,XXX IN
	HEAD USAGE	X,XXX IN
	TOTAL USAGE	X,XXX IN
	RESET CNTR1	X,XXX IN
	RESET CNTR1	X,XXX IN
—	SERIAL NUMBER	XXXXXXXXXXXX
^JH	EARLY WARNING	MAINT. OFF

The printer has the ability to set a command or a group of commands once for all receipts (or labels) that follow. Those settings will remain in effect until they are changed by subsequent commands, the printer is reset, or you restore factory defaults.

Printer Memory Management and Related Status Reports

To help you manage printer resources, the printer supports a variety of format commands to manage memory, transfer objects (between memory areas, import and export), object naming, and provide various printer operating status reports. They are very similar to the old DOS commands like DIR (directory listing) and DEL (delete file). The most common reports are also part of the Zebra Setup Utility and ZebraDesigner™ Windows driver.

Figure 3 • Memory Management Format Structure

^XA — Start Format Command

A Single Format Command is recommended for purposes of reuse

^XZ — End Format Command

It is recommended that a single command be processed within a this type of format (form). A single command is easily reused as a maintenance and development tool.

Many of the commands that transfer objects, manage and report on memory are control (~) commands. They do not need to be within a format (form). They will be processed immediately upon receipt by the printer whether in a format (form) or not.



Note • To maximize available printer memory, the printer includes an automatic memory defragmentation (defrag). Several factors can trigger a defrag operation. Changing memory by deleting or adding objects to memory can cause a defrag. The printer status light will begin flashing Red, Amber and Green when a memory defrag is in process. Do not turn off the printer's power while the status light is flashing. This operation may take several minutes if memory use and file fragmentation are high.

ZPL Programming for Memory Management

ZPL has various printer memory locations that are used to run the printer, assemble the print image, store formats (forms), graphics, fonts and configuration settings.

- ZPL treats Formats (Forms), Fonts, and Graphics like files; and memory locations like disk drives in the DOS operating system environment:
 - Memory Object Naming: Up to sixteen (16) alphanumeric characters followed by a three (3) alphanumeric character file extension:
i.e. 123456789ABCDEF.TTF
Legacy ZPL printers with V60.13 firmware and earlier can only use the 8.3 file name format versus today's 16.3 file name format.
- Allows moving objects between memory locations and deleting objects.
- Supports DOS directory style file list reports as printouts or status to the host.
- Allows use of 'wild cards' (*) in file access

Table 4 • Object Management and Status Report Commands

Command	Name	Description
^WD	Print Directory Label	Prints a list of objects and resident bar codes and fonts in all addressable memory locations
~WC	Print Configuration Label	Prints a configuration Status Receipt (Label) Same as Feed Button mode one flash routine
^ID	Object Delete	Deletes objects from printer memory
^TO	Transfer Object	Used to copy an object or group of objects from one memory area to another.
^CM	Change Memory Letter Designation	Reassigns a letter designation to a printer memory area.
^JB	Initialize Flash memory	Similar to formatting a disk - erases all objects from the specified memory locations B: or E: .
~JB	Reset Optional Memory	Similar to formatting a disk - erases all objects from the B: memory (factory option).
~DY	Download Objects	Downloads and installs wide variety of printer usable programming objects: fonts (OpenType and TrueType), graphics, and other object data types. <i>Recommendation: Use ZebraNet™ Bridge for downloading graphics and fonts in the printer.</i>
~DG	Download Graphic	Downloads an ASCII Hex representation of a graphic image. <i>This is used by ZebraDesigner™ (label creation application) for graphics.</i>
^FL	Font Linking	Appends secondary TrueType font or fonts to the primary TrueType font to add glyphs (characters).
^LF	List Font Links	Prints a list of the linked fonts
^CW	Font Identifier	Assigns a single alphanumeric character as an alias to a font stored in memory.



Important • Some factory installed ZPL fonts in your printer cannot be copied, cloned or restored to your printer by reloading or updating firmware. If these license restricted ZPL fonts are removed by an explicit ZPL object delete command, they must be repurchased and reinstalled via a font activation and installation utility. EPL fonts do not have this restriction.



Notes • _____
